



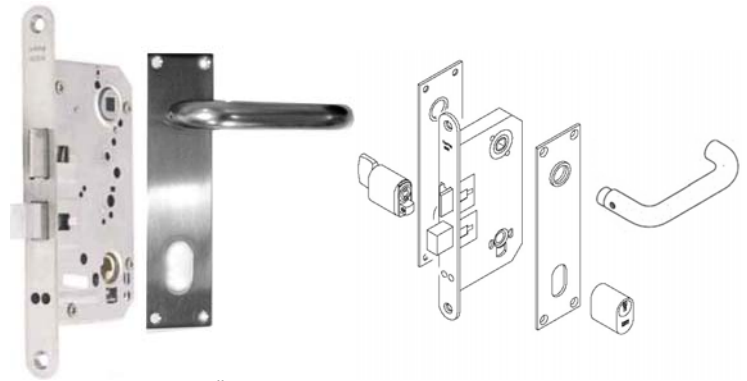
Izerwaren
Order numbers

- Stainless Steel Heavy duty Mortise locks;
- Backset 55 mm
- Standard finish: Brushed stainless steel
- Option: Mirror Polished Stainless Steel Finish

11. SEET01 **Set:** Exterior lock with stainless levers and escutcheons

11. BEET01 **Set:** Exterior lock with chrome levers and escutcheons

11.312 Exterior Lock separate (Trioving 5312)
With key outside and thumb-turn inside
Heavy Duty; one piece latch-bolt,
for 8 x 8 mm square spindle



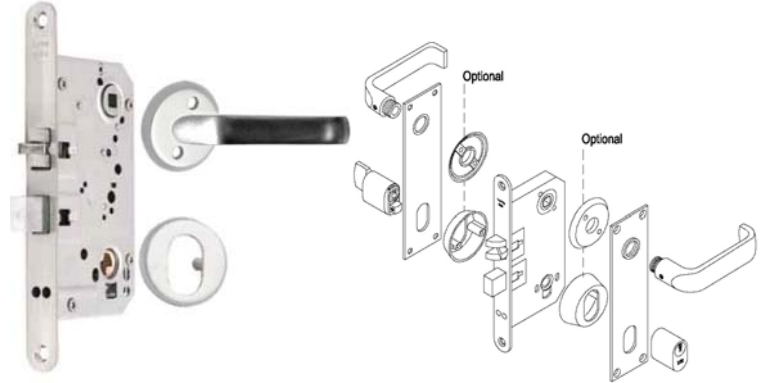
Exterior Entry lock Set: #11.SEET01 - Stainless Steel Levers and Escutcheons
Exterior Entry lock Set: #11.BEET01 - Chrome Levers and Escutcheons

11. BEET02 **Set:** Interior lock with chrome levers and escutcheons.

11. BRET02 **Set:** Interior lock with chrome levers and roses.

11.316 Interior Lock separate (Trioving no.5316)

11.317 Interior Lock separate (Trioving Privacy no.5317)
With key outside and thumb-turn inside
Medium duty; three piece latch-bolt,
for 8 x 8 mm square spindle



Interior lock Set: #11.BRET02 - Chrome Levers and Roses.
Interior lock Set: #11.BEET02 - Chrome Levers and Escutcheons

11. PRBT03 **Set:** Interior passage lock with chrome levers and roses

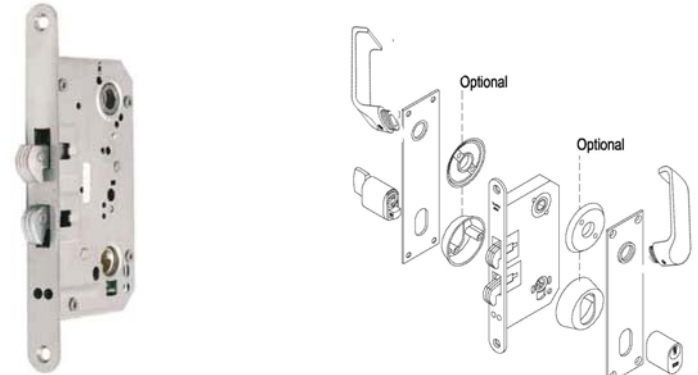
11. BEPT03 **Set:** Interior passage lock with chrome levers, escutcheons

11.336 Interior passage latch separate (Trioving no.5336)
Medium duty. Not depicted details: see page 1-0-B

11. DBET05 **Set:** Deadbolt lock with chrome levers and roses

11. DRET05 **Set:** Deadbolt lock with chrome levers, escutcheons

11.341 Deadbolt lock separate (Trioving 5341)
Deadbolt lock not depicted. Details: see page 1-0-C



11. SPOCT06 **Set:** Exterior sliding lock with stainless levers, escutcheons

11. BPOCT06 **Set:** Exterior sliding lock with chrome levers, escutcheons

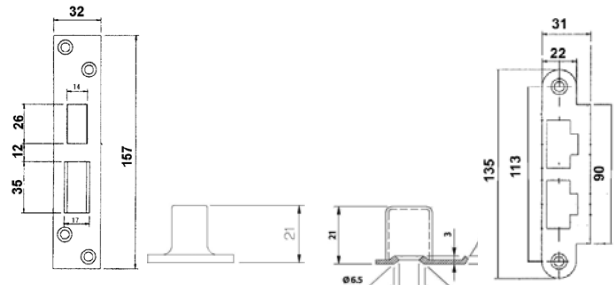
11. BPORT06 **Set:** Exterior sliding lock with chrome levers and roses

11.382 Sliding Lock separate (Trioving 5382)
Heavy Duty, Double hook bolt, for exterior and interior
doors. For 8 x 8 mm square spindle

Exterior Sliding lock Set: #11.SPOCT07 - Stainless Steel Levers and Escutcheons
Exterior Sliding lock Set: #11.BPOCT07 - Chrome Levers and Escutcheons
Exterior Sliding lock Set: #11.BPORT07 - Chrome Levers and Roses

11.384 Strike Box for sliding door lock, stainless steel
Size: 157 X 32 x 21 mm

11.314 Strike Box for swinging door lock, stainless steel
Size: 135 x 22 + 9 mm



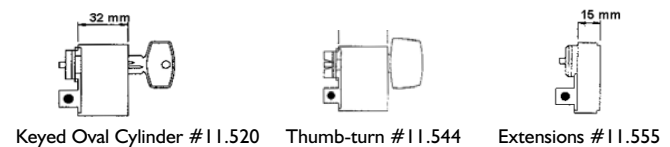
#11.384 Strike Box Sliding
#11.314 Strike Box Swinging
#11.314; Strike plate swinging door locks 22/31 x 135 mm
#11.383; Strike plate for sliding door lock with cup; 32 x 157 x 21 mm

11.520 Oval Cylinder (half) with key. Body: 32 mm

11.544 Oval Cylinder (half) with knob. Body: 32 mm

11.508 Keys, nickel silver; special keying available

11.555 Extensions for cylinder or thumb-turn 15 mm, brass



Keyed Oval Cylinder #11.520 Thumb-turn #11.544 Extensions #11.555

FOR DETAILS TRIOVING TRIM SETS SEE PAGE 1-I-A TO 1-I-D

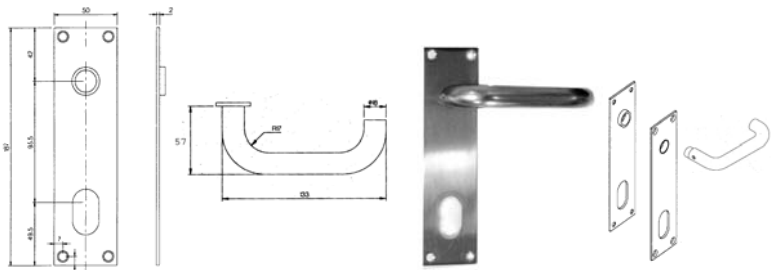


Izerwaren
Order
numbers

- Trioving Standard Trim for Mortise Locks
- For Trioving locks see page I-1
- For UPGRADE YACHT trim see page I-2

11.605 **Stainless Steel Lever Handle**, (Trioving 8605)
U shape model 133 x 57 mm
for 8 x 8 mm square spindle

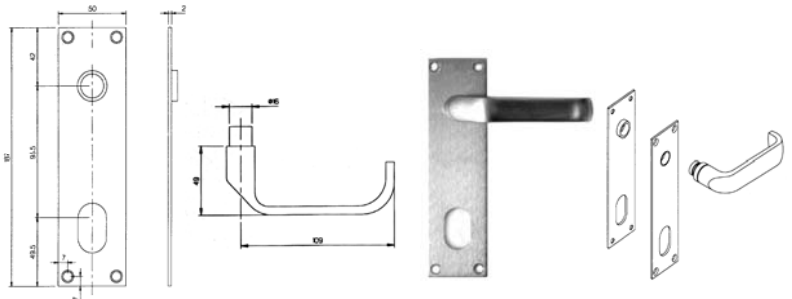
11.653 **Stainless Steel Escutcheon plate** (Trioving 8653)
rectangular 187 x 50 x 2 mm
Finish: Polished or Satin Stainless Steel



Stainless steel trim set: Escutcheon #8653 & Lever #8605
Esc: 187 x 50 x 2 mm; Lever 57 x 133 mm

11.363 **Chrome Plated Lever Handle** (Trioving 5316)
Standard model 109 x 49 mm
for 8 x 8 mm square spindle

11.715 **Chrome Escutcheon Plate** (Trioving 7715)
rectangular 187 x 50 x 2 mm
Finish: Polished or Satin Chrome



Chrome plated trim set: Escutcheon #7715 & Lever 5316
Esc: 187 x 50 x 2 mm; Lever 49 x 109 mm

11.695 **Spacer Plate of black plastic for escutcheon plate ...** (Trioving 7695)



Spacer Plate #7695. Complete Lockset showing. Finish: Polished chrome

11.509 **Chrome plated rose for lever**(Trioving 7509)
Diameter 54 mm, 6 mm thick



Chrome plated trim set: Rose #7509 & Lever 5316
Rose: 54 mm diameter, Lever 49 x 109 mm

11.962 **Chrome plated roses for cylinder** (Trioving 5962)
Diameter 54 mm: different thickness:
6 mm thick
9 mm thick
12 mm thick - please specify thickness



Key way rose, pair #5962, 54 mm diameter specify thickness rose

11.520 **Oval Cylinder** (half) with key. Body: 32 mm

11.555 **Extensions** for cylinder or thumb-turn 15 mm, brass

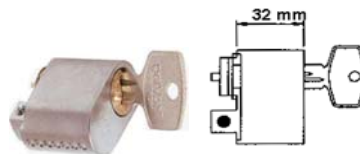
11.544 **Oval Cylinder** (half) with knob. Body:-32 mm

11.555 **Extensions** for cylinder or thumb-turn 15 mm, brass

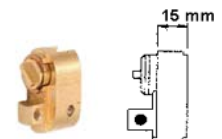
11.508 **Keys**, nickel silver; special keying available

11.200 **Spindles, 8 x 8 mm different lengths**

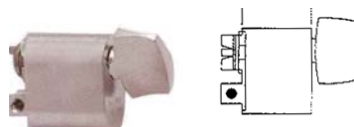
11.H07 **Through bolts** Trioving, set of 2 bolts and 2 nuts



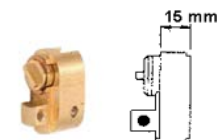
Oval Cylinder key way #11.520



Extensions 15 mm #11.555



Keyed Thumb-turn #11.544

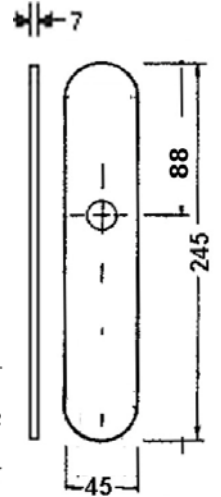
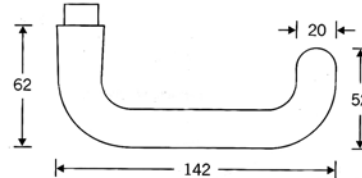
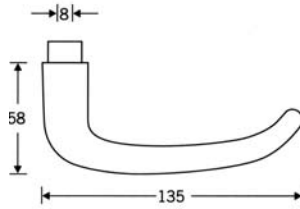


Extensions 15 mm #11.555

UPGRADE TO YACHT TRIM: SEE PAGE I-1-I



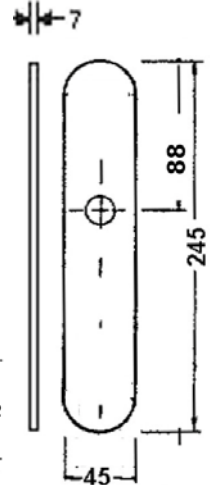
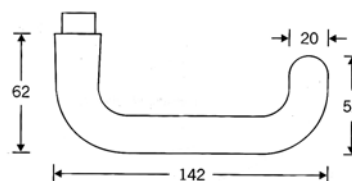
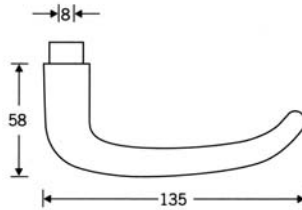
Trioving Marine Locks with **Izerwaren UPGRADE** to Mirror Polished Stainless Steel Exterior Yacht Doors.
55 mm backset - Suitable for aluminum, wood, fiberglass and steel swinging doors.



11.SEFT.011 Complete set with lock, strike and key/thumb-turn Lever #12.527
11.SEFT.021 Complete set with lock, strike and key/thumb-turn

Lever #12.045

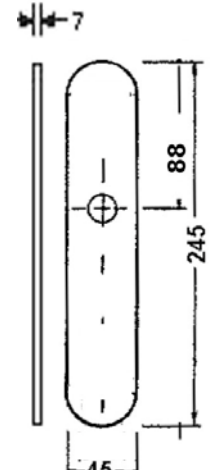
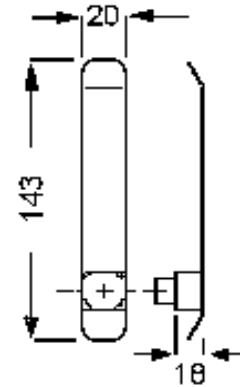
Escutcheon #12.222
Escutcheon #12.222



11.SEFT.017 Complete Sliding door lock, strike and key/thumb-turn Lever #12.527
11.SEFT.027 Complete Sliding door lock, strike and key/thumb-turn

Lever #12.045

Escutcheon #12.222
Escutcheon #12.222



11.SEFT.037 Complete sliding door lock, strike and key/thumb-turn

Lever #12.53F

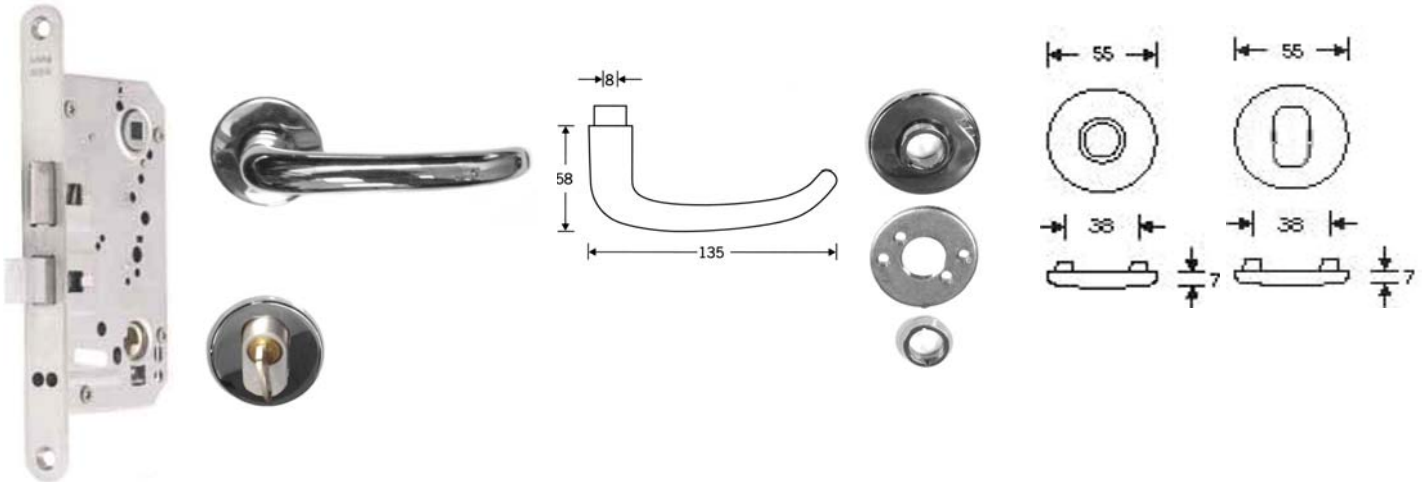
Escutcheon #12.222

All sets include: 1x keyway with 2 keys and 1x thumb-turn

(optional: Change to 2 keyways). Specify door thickness and handing when ordering.



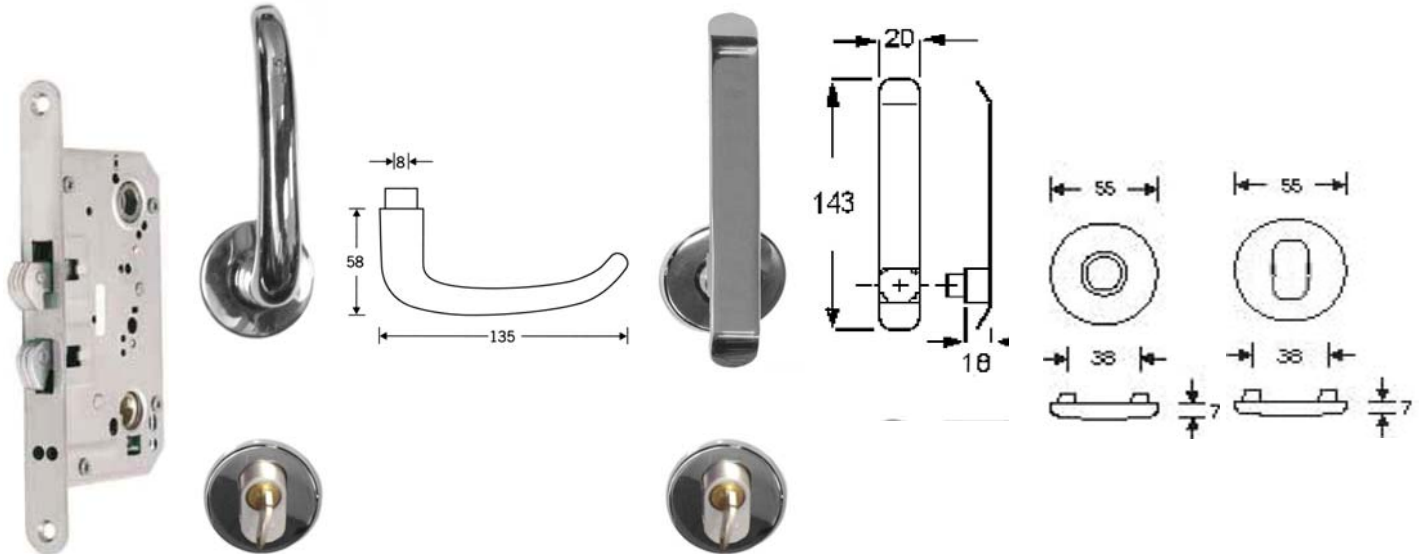
Trioving Marine Locks with **Izerwaren UPGRADE** to Mirror Polished Stainless Steel Exterior Yacht Doors.
55 mm backset - Suitable for aluminum, wood, fiberglass and steel swinging doors.



#11.SRRT.011 Complete set with lock, strike and key/thumb-turn Lever #12.527

Rose Convex #12.1105

Key Rose Convex #12.111T

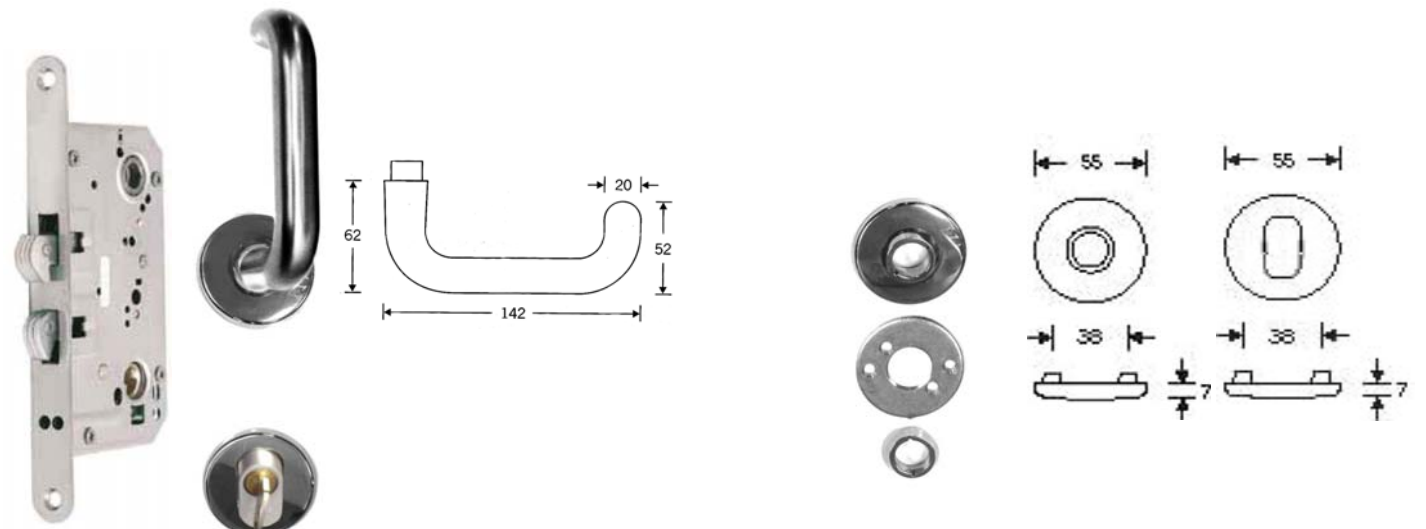


#11.SRFT.017 Complete Sliding door lock, Lever #12.527
#11.SRFT.027 Complete Sliding door lock,

Lever #12.53F

Rose Convex #12.1105
Rose Convex #12.1105

Key Rose Convex #12.111T
Key Rose Convex #12.111T



#11.SRFT.037 Complete sliding door lock Lever #12.045

Rose Convex #12.1105

Key Rose Convex #12.111

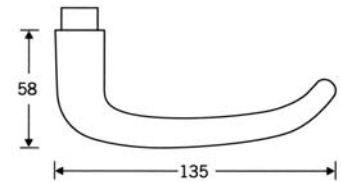
All sets include: 1x keyway with 2 keys and 1x thumb-turn (optional: Change to 2 keyways). Specify door thickness and handing when ordering.



Izerwaren
Order
Numbers

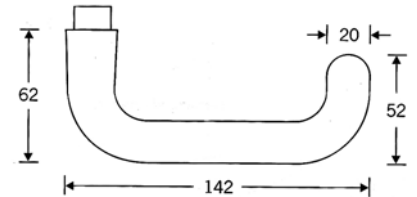
Stainless steel levers
for full size mortise marine locks
Finish:
satin stainless steel
mirror polished stainless steel

12.527 Lever Classic; 135 mm long



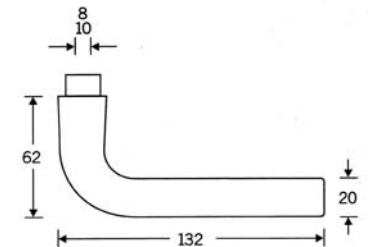
Lever # 12.527; 135 mm long; stands off 58 mm
Rose #12.110; 55 mm diameter

12.045 Lever U shape; 131 mm long



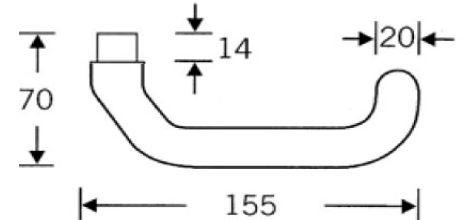
Lever # 12.045; 131 mm long; stands off 54 mm; 18 mm diameter

12.547 Lever L shape; 132 mm long



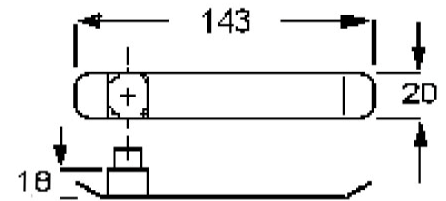
Lever # 12.547; 132 mm long; stands off 64 mm; 20 mm diameter

12.021 Lever Cropped; 155 mm long



Lever # 12.021; 155 mm long; stands off 56 mm; 20 mm diameter

12.53F Lever Semi Flush; 143 mm long



Lever # 12.53F; 143 mm long; stands off 25 mm with standard plate; 20 mm wide

12.53FS Lever Semi Flush; 95 mm long



Lever # 12.53FS; 95 mm long; stands off 25 mm with standard plate; 20 mm wide

12.329 #12.329 Thumb-turn 30 x 10 mm
On rose #12.100
Details on roses and escutcheons
See page 1-2.



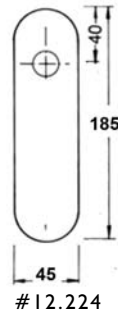
Use Levers with Roses or Escutcheon Plates; See page 1-2



Izerwaren
Order
numbers

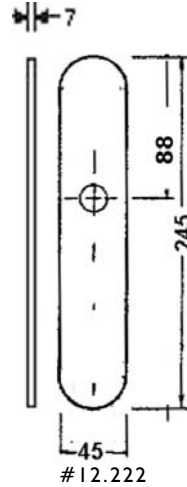
- Stainless Steel Escutcheons for marine locks
- Specify Finish:
- Satin stainless steel
- Mirror Polished stainless steel

12.224 **Stainless steel escutcheon plate**
with radius, 185 x 45 x 7 mm
Clip on style with inner Delron escutcheon
Screws invisible



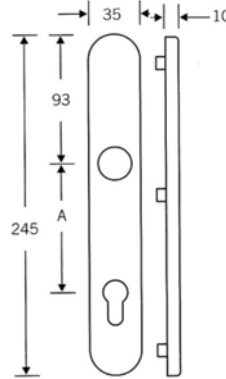
Clip on escutcheon #12.224
with delron inner plate
stainless steel

12.222 **Stainless steel escutcheon plate**
with radius, 245 x 45 x 9 mm
Clip on style with inner Delron escutcheon
Screws invisible
Custom adaption for any mortise lock function



Clip on escutcheon #12.222 stainless steel
with delron inner plate

12.416 **Stainless steel escutcheon plate**
with square corners, 245 x 35 x 10 mm
Screws visible
For Narrow Style Doors.
See pages 1-9-1 and 1-14- and 1-14-A
Cropped lever 12.021: See page 1-1-2



#12.416 escutcheon square corners
#12.417 escutcheon round corners
#12.021 levers, cropped; see page 1-1-2

12.417 **Stainless steel escutcheon plate**
with radius, 245 x 35 x 10 mm
Screws visible
For Narrow Style Doors.
See pages 1-9-1 and 1-14- and 1-14-A
Cropped lever 12.021: See page 1-1-2

#12.417



#12.1105 Lever Rose For Fire Rated Doors

Pictures showing stainless steel outer & inner rose and bearing.



#12.100F Rose for levers ; 55 mm Ø flat; nylon inner rose
#12.100C Rose for levers ; 55 mm Ø convex; nylon i.r.



#12.111ZF Rose for Profile Cylinder; 55 mm Ø flat
#12.111ZC Rose for Profile Cylinder; 55 mm Ø convex

All roses are stainless steel and can be ordered as in 2 versions:



#12.507 Oval Rose for lever 66.5 x 29.5 mm



#12.517 Oval Rose; for Profile Cylinder 66.5 mm x 29.5 mm



#12.111T Rose for Oval Cylinder; 55 mm Ø convex



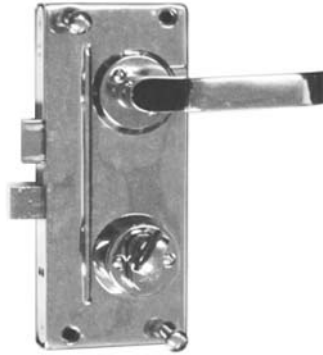
#12.329 Thumb-turn 30 x 10 mm; rose #12.100



Izerwaren
Order
Numbers

- Specify handing for rim locks
- For handing see page 0-4
- Specify satin or polished

#11.3123 Trioving Rim Lockset Complete
 Inside: lock box, roses, lever, thumb-turn
 Outside: Lever + escutcheon, keyway,
 Stainless steel lock and box, trim chrome
 55 mm backset; case: 216 x 98 x 26 mm



#11.3123 Complete box set Trioving
Backset: 55 mm



11.3123 Outside trim set Trioving

13.27CZ GSV / S&B Rim Lockset Complete(3227Z)
 Inside: lock box, lever, thumb-turn
 keyway, strike plate
 Outside: Lever + escutcheon + keyway
 Stainless steel lock and box and trim
 55 mm backset; case: 192 x 95 x 23 mm



11.27CZ Complete box set GSV/S&B
Backset: 55 mm



11.27CZ Outside trim GSV/S&B

13.27F Passage Rim Lock
 55 mm backset; case: 192 x 95 x 23 mm
 9 x 9 mm spindle for lever handles
 Not depicted, see page I-3-A

13.27SZ Dead Bolt Rim Lock , stainless steel
 55 mm backset; Case: 110 x 90 x 25./22 mm
 Works through Profile Cylinder Key Way
 Not depicted, see page I-3-A



#11.501 Rim lock set stainless steel
Backset: 75 mm



#11.501 outside trim stainless steel

13.31Z Dead Bolt Rim Lock ; stainless steel
 Backset 52 mm; case: 95 x 75 x 18 mm
 Works with Profile Cylinder Key Way



#12.31Z Deadbolt lock stainless steel
Backset: 52 mm



#11.501 outside trim stainless steel

13.230 Dead Bolt Lock stainless steel
 Case: 100 mm x 120 mm x 18 mm thick
 Works with Profile Cylinder Key Way only
 2 THROWS, 1"total



#13.20Z stainless steel
Backset 50 mm



#11.501 outside trim stainless steel



14.231P 14.626P 13.230 strike
Please order strike plates separate

MORE LOCK FUCTIONS AND DIMENSIONS ON PAGES I-3-A,B,C



GSV AND S&B COMPLETE MARINE LOCKSETS

Order numbers

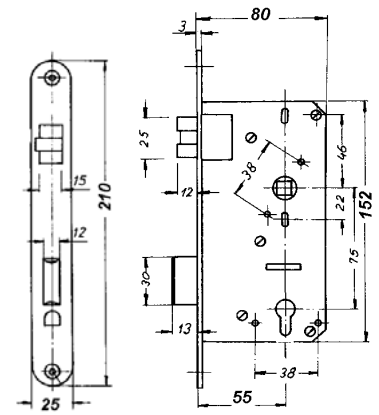
- With backset 55 mm - 2 3/16"
- Minimum door thickness 32 mm - 1 1/4"
- Finish: Satin or polished stainless steel

#14.73Z **Complete Entry Set Stainless steel**

- 14.73Z **Entry Mortise Lock separate**
For 9x9 mm spindle /door lever handles
Use with profile cylinder key/key or key/knob
Details page 1-4-B
- 14.231 **Strike plate stainless steel**



#14.73Z SET Entry mortise lock 55 mm backset stainless steel



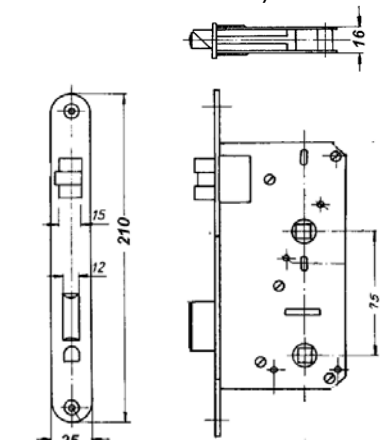
#14.73Z Stainless steel entry lock

14.73W5 **Complete Privacy Set Stainless Steel**

- 14.73W Privacy Mortise Lock separate
9 x 9 mm spindle for lever handles
7 x 7 mm spindle for thumb-turn
Details page 1-4-C
- 14.231 **Strike plate stainless steel**



P#14.73W5 SET Privacy mortise lock 55 mm backset



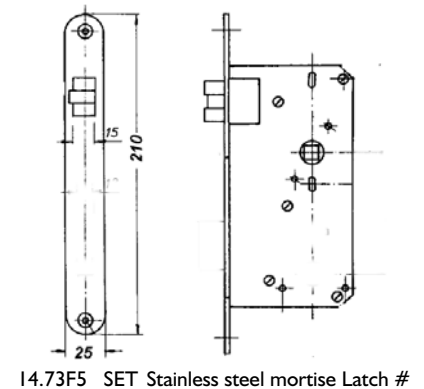
#14.73W5 SET Stainless steel privacy lock

14.73F5 **Complete Passage Set Stainless steel**

- 14.73F Passage lock separate
9 x 9 mm spindle for lever handles
Details page 1-4-D
- 14.626 **Strike plate stainless steel**



#14.73F5 SET Passage Lock 55 mm backset



14.73F5 SET Stainless steel mortise Latch #

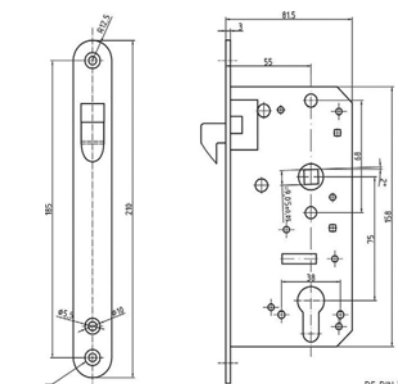
13.81Z6 **Complete Sliding Door Set**

Door thickness minimum: 1 3/4"
Plate protrudes 1/4" from door on each side
Total width plate: 2"

- 13.81Z Sliding door lock separate
9 x 9 mm spindle for lever handles
Details page 1-4-B; and 1-13



#13.81Z5 SET Sliding door lock 55 mm backset



#14.73Z5 SET Stainless steel sliding lock Details see page 1-4-B and 1-13

05.400 **Profile cylinder #1400 series:**



Key/key or key/knob or knob/indicator
Specify door thickness and function cylinder
See for functions cylinders: page 0-5

- 14.610Z Flush Lever on Escutcheon plates
205 x 70 mm Details: Page 1-4-B
- 14.999 Lever handles stainless steel (2210)
105 x 47 mm Details: Page 1-4-J
- 14.129 Escutcheon plates
165 x 45 mm Details: Page 1-4-I

IZERWAREN YACHT TRIM UPGRADE SEE PAGE 1-4-N; 1-4-P

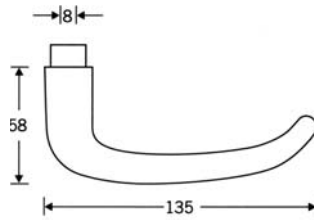


S&B and GSV Marine Door Locks, with **UPGRADE** to Mirror Polished Stainless Steel Exterior Yacht Doors.

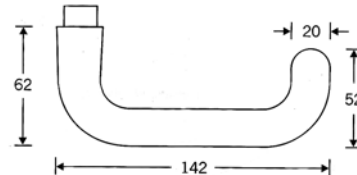
Suitable for aluminum, wood, fiberglass and steel swinging and sliding doors. 55 mm backset



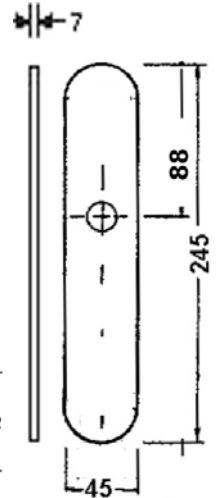
Complete set with lock, strike and key/thumb-turn # 11.SEFS.111
Complete set with lock, strike and key/thumb-turn # 11.SEFS.121



Lever #12.527



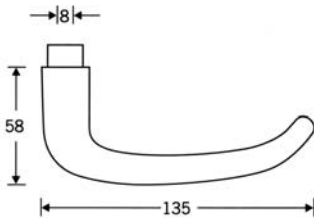
Lever #12.045



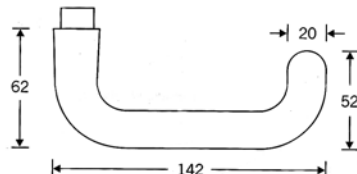
Escutcheon #12.222
Escutcheon #12.222



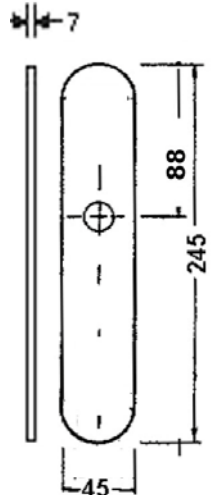
Complete set with lock, strike and key/thumb-turn # 11.SEFS.117
Complete set with lock, strike and key/thumb-turn # 11.SEFS.127



Lever #12.527



Lever #12.045



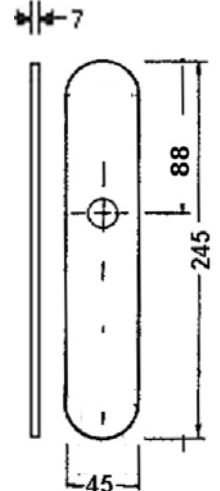
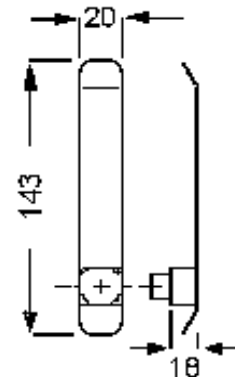
Escutcheon #12.222
Escutcheon #12.222



Complete set with lock, strike and key/thumb-turn # 11.SEFS.137



Lever #12.53F



Escutcheon #12.222

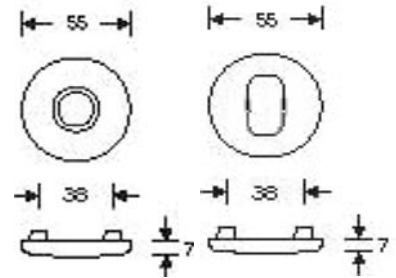
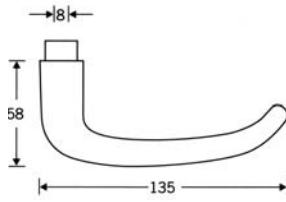


All sets include: 1x keyway with 3 keys and thumb-turn (optional: Change to keyway on both sides). Specify door thickness and handing when ordering.

The depicted Stainless Steel Trim also works very well with TRIOVING MARINE LOCKS; see page I-I-I.



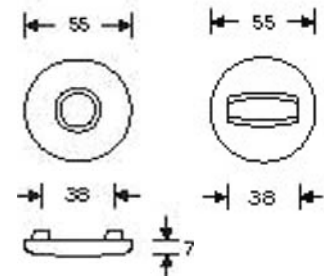
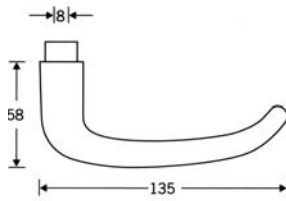
S&B and GSV Marine Door Locks, 55 mm backset, with **UPGRADE** to Mirror Polished Stainless Steel Exterior Yacht Doors.
Suitable for aluminum, wood, fiberglass and steel swinging doors.



#11.SRRT.011 Complete set with lock, strike and key/thumb-turn Lever #12.527

Rose Convex #12.1105

Key Rose Convex #12.111T

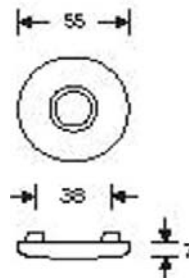
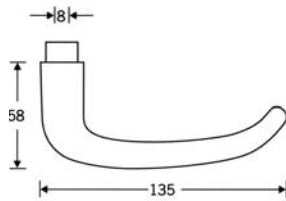


#11.SRFT.017 Complete Privacy Lock SET,
#11.SRFT.027 Complete Privacy Lock SET,

Lever #12.527
Lever #12.527

Rose Convex #12.1105
Rose Flat #12.1105

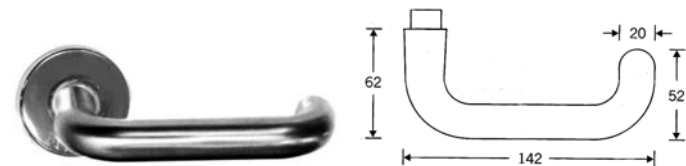
Thumb-turn
Thumb-turn set



#11.SRFT.037 Complete passage lock SET

Lever #12.527

Rose Convex #12.1105



#11.045 Lever with rose convex 12.1105



Lever #12.53F with rose convex #12.1105



Izerwaren
Order
numbers

- Stainless Steel Heavy Duty Mortise Lock
- Backset 65 mm
- Standard finish: Satin stainless steel
- Option: Mirror Polished Stainless Steel



Entry lock set #14.3127ZE 65 mm backset

14.3127ZE **Set:** Entry Door Mortise Lock: Levers, escutcheons, strike plate and profile cylinder

14.3127 Entry Door Mortise Lock separate
Lock case: 97 mm x 164 mm x 16 mm
Backset 65 mm PC= 72 mm
Front plate 235 x 24 mm
For 9x9 mm spindle

14.0031 Strike plate entry separate stainless steel

14.3127ZR **Set:** Entry Door Mortise Lock : Levers, roses, strike plate and profile cylinder



Entry lock set #14.3127ZR 65 mm backset

#14.3127 Entry lock heavy duty

14.3178WR **Set:** Privacy Door Mortise Lock: Levers, roses, Thumb-turn/indicator with roses, strike plate.

14.3178 Privacy Door Mortise Lock separate
Lock case: 97 mm x 164 mm x 16 mm
Backset 65 mm WC= 72 mm
Front plate 235 x 24 mm
For 9x9 mm spindle



Privacy lock set #14.3178WR 65 mm backset

14.3189FR **Set:** Passage Door Mortise Lock: Levers, roses

14.3189 Passage Door Mortise Lock separate
Lock case: 97 mm x 164 mm x 16 mm
Backset 65 mm stainless steel
Front plate 235 x 24 mm

14.0032 **Strike plate** Passage stainless steel

12.527 **Lever** # 12.527; 135 mm long; stands off 58 mm
Stainless steel

12.110S **Rose** #12.110S; 55 mm diameter
Stainless steel fire rated

12.222 **Escutcheon** #12.222 45 x 245 mm
Stainless steel; escutcheon available for entry, privacy and passage set up



Passage lock set #14.3189FR 65 mm backset

14.0032 Strike plate stainless steel

For profile cylinder specifics:
see page 0-5

FOR MORE OPTIONS AND DIMENSIONS OF ABOVE SETS SEE PAGE I-4-0-A TO I-4-0 B



Izerwaren
Order
Numbers

- Brass rim lock, backset 37 mm - 1 1/2"
- Solid brass latch bolt
- Specify left or right hand and door thickness SEE PAGE 0-4 for instructions
- Strike plate or strike box NOT included
- Specify strike box or strike plate
- BPC polished chrome plated brass only

15.656 **Entry Rim dead bolt lock with round cylinder. For 3/4" thick doors**

15.837 **Strike Box**
15.656S **Strike Plate**

15.475 **Entry Rim Lock with cylinder key**
Case:
For 8 x 8 mm spindle /door lever handles

15.842 **Strike Box**
15.484S **Strike Plate**

15.484 **Entry Rim Lock with skeleton key**
Case:
For 8 x 8 mm spindle /door lever handles

15.842 **Strike Box**
15.484S **Strike Plate**

15.026 **Privacy Rim Lock**
Case:
8 x 8 mm spindle for lever handles

15.842 **Strike Box**
15.484S **Strike Plate**

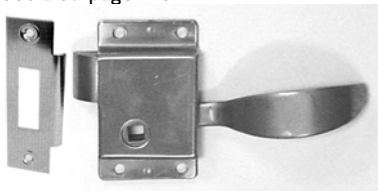
15.452 **Passage Rim Lock**
Case: 63 mm x 166 mm x 21 mm thick
8 x 8 mm spindle for lever handles

15.837 **Strike Box**
15.656S **Strike Plate**

15.71Z **Dead Bolt Rim Lock round cylinder (3271Z) 25 mm back set**
Case: 60 mm x 78 mm x 12 mm thick
15.924 **(924) strike Box**

05.522 **Round cylinders 23 mm**
series #690; 23 x 20 / 25 / 30 mm long
Specify door thickness

15.255 **Rim latch for lazaret / storage doors.**
Model shown below: DIN Left hand
Finish: Stainless steel Backset: 19 mm
See also page I-3-A

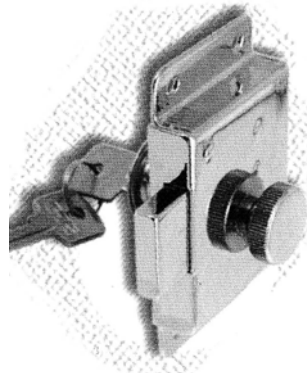


#15.255L Rim latch Left hand showing

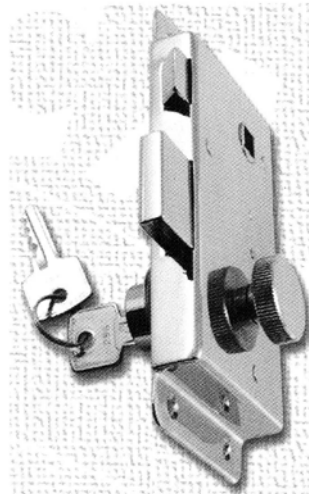


Set showing:

- 18.740 Lever classic #18.740, 75 x 50 mm
- 18.470 Rose, oval #18.470
- 43.142 Strike, 100 x 34.5 mm; st.st. #43.142



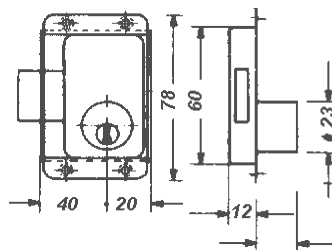
Deadbolt rim lock #15.656
Backset 1 1/2" Cylinder Key/Knob



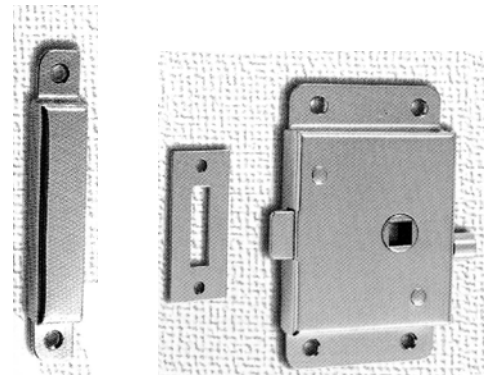
Entry Rim Lock #15.475
backset 1 1/2" Cylinder Key/Knob
Strike box separate #15.842
Strike plate separate: #15484S



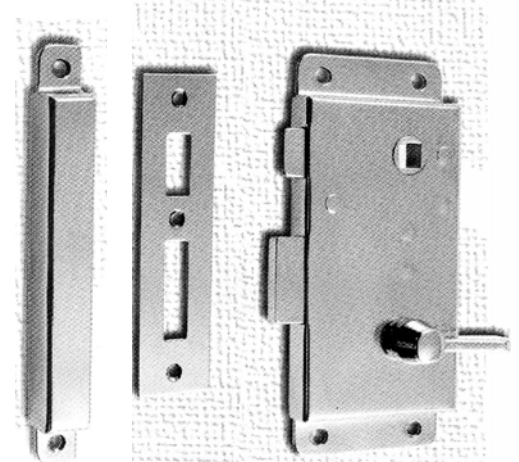
Dead bolt Rim Lock #15.71Z
Backset: 25 mm



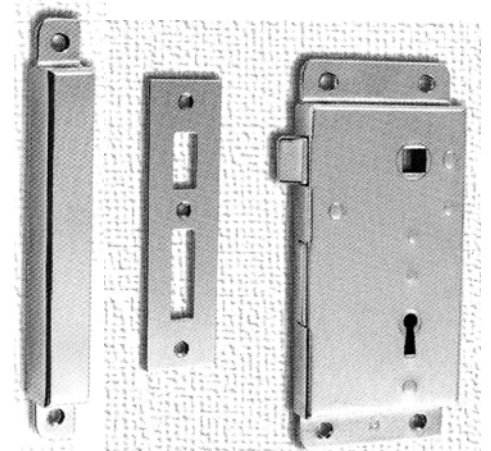
Dead bolt Rim Lock #15.71Z
25 mm backset



Entry Rim Latch #15.452; Backset 1 1/2"
Strike box separate #15.837
Strike plate separate: #15656S



Privacy Rim Lock #15.026 backset 1 1/2"
Strike box separate #15.842
Strike plate separate: #15484S



Privacy Rim Lock #15.484 backset 1 1/2"
Strike box separate #15.842
Strike plate separate: #15484S



Lever #18.740, rose #16.924
See page I-10 for more trim set options



IZERWAREN BUDGET SETS FOR DOORS WITH A MINIMUM THICKNESS OF 1 1/8"

Order numbers

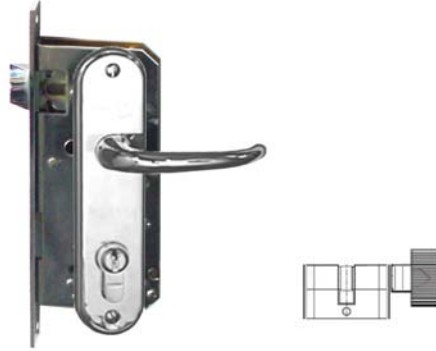
- Minimum door thickness 28 mm 1 1/8"
- BPC polished chrome plated brass
- BSC satin chrome plated brass

Mortise locks with backset of 1 9/16"

1630Z **SET: Entry set with levers + escutcheons Strike plate and keyway**

16.421 Entry Mortise Lock separate
 Center spindle hole to center key hole: 60 mm
 Case: 70 mm x 152 mm x 15/10.5 mm thick
 Front plate 200 x 20 mm
 For 8x8 mm spindle / door lever handles

16.224 Strike plate for entry lock



Entry Set: 16.30Z; 40 mm backset

#16.224 strike plate

16.411 Entry mortise lock with skeleton key
 Center spindle hole to center key hole: 60 mm
 Case: 70 mm x 152 mm x 15/10.5 mm thick
 Front plate 200 x 20 mm
 For 8x8 mm spindle /door lever handles
 (Not depicted)

16.30W **SET: Privacy Mortise Lock with levers, escutcheons, thumb-turn/ indicator**

16.401 Privacy Mortise Lock separate
 Center spindle hole to center key hole: 60 mm
 Case: 70 mm x 152 mm x 15/10.5 mm thick
 Front plate 200 x 20 mm
 8 x 8 mm spindle for lever handles
 7 x 7 mm spindle for thumb-turn

16.224 Strike plate for privacy lock



Privacy set: 16.30W; 40 mm backset

#16.224 strike plate

16.30F **SET: Passage Mortise Latch with levers and escutcheons**

16.431 Passage Mortise Latch
 Case: 70 mm x 152 mm x 15/10.5 mm thick
 Front plate 200 x 20 mm
 8 x 8 mm spindle for lever handles

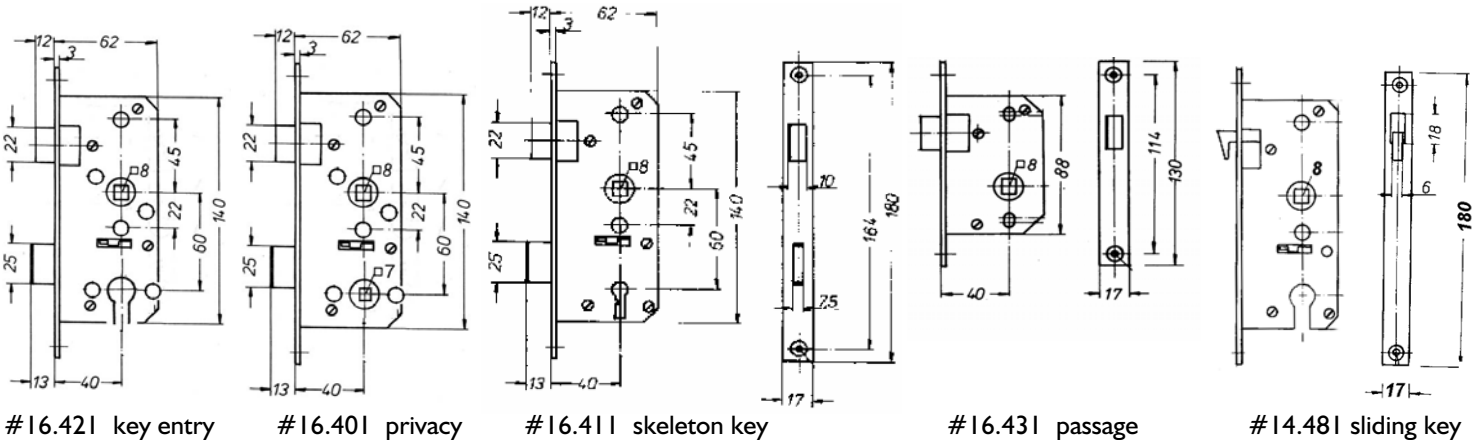
16.225 Strike plate for passage latch



Passage set: 16.30F; 40 mm backset

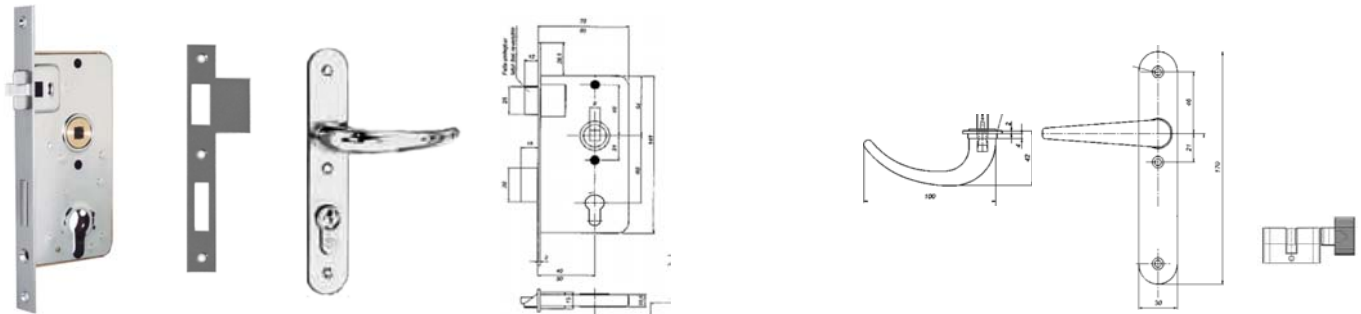
#16.225 strike plate for passage latch

05.407 Profile cylinder key-knob
 Short: 26-26 mm with knob; See page I-5 for details

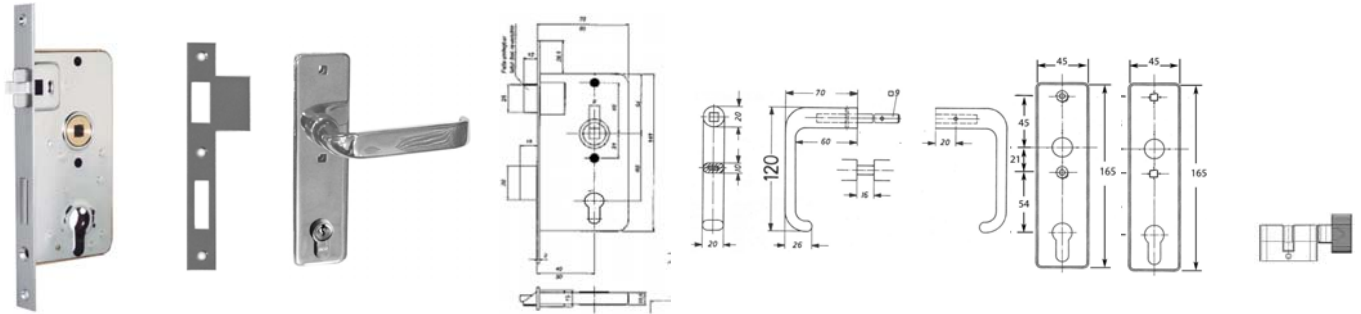


Mortise locks light duty separate. For light duty *sliding* door lock sets, please see page I-14

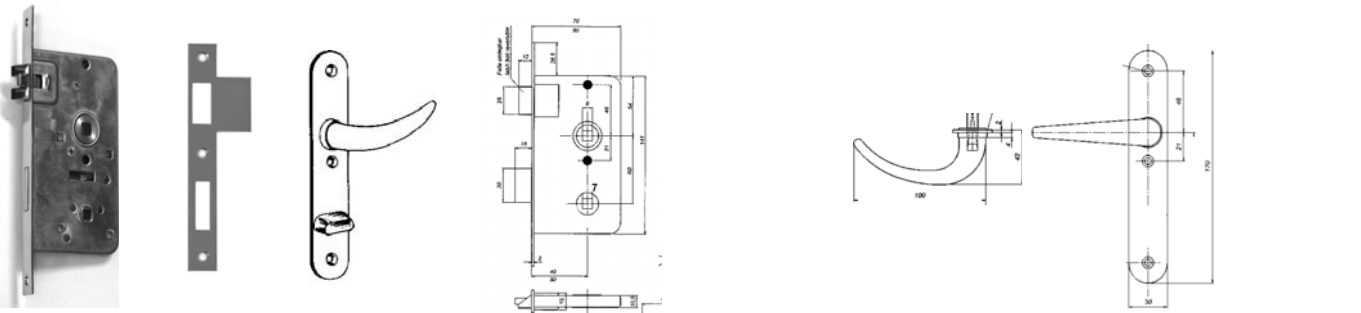
FOR DETAILS AND MORE FUNCTIONS FOR BUDGET TRIM SETS, SEE PAGE I-6-0 AND I-6-A



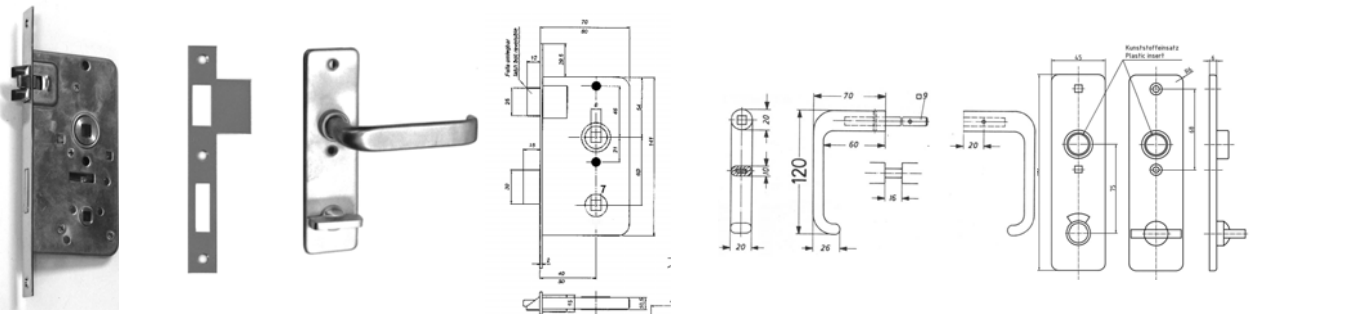
SET: 16.S04Z Entry lockset 40 mm backset with standard escutcheon and lever, keyway and strike.
SET: 16.S05Z Entry lockset 50 mm backset with standard escutcheon and lever, keyway and strike.



SET: 16.R04Z Entry lockset 40 mm backset with rectangular escutcheon and half sable lever, keyway and strike.
SET: 16.R05Z Entry lockset 50 mm backset with rectangular escutcheon and half sable lever, keyway and strike.



SET: 16.S04W Privacy lockset 40 mm backset with standard escutcheon and lever, thumb-turn and indicator
SET: 16.S05W Privacy lockset 50 mm backset with standard escutcheon and lever, thumb-turn and indicator,



SET: 16.R04W Privacy lockset 40 mm backset with rectangular escutcheon and half sable lever, thumb-turn and indicator
SET: 16.R05W Privacy lockset 50 mm backset with rectangular escutcheon and half sable lever, thumb-turn and indicator

Custom Trim Upgrades:



Lever #444



Lever #462



Lever #463



Lever #368



Lever #05116



Lever #21438



Lever #15.F83

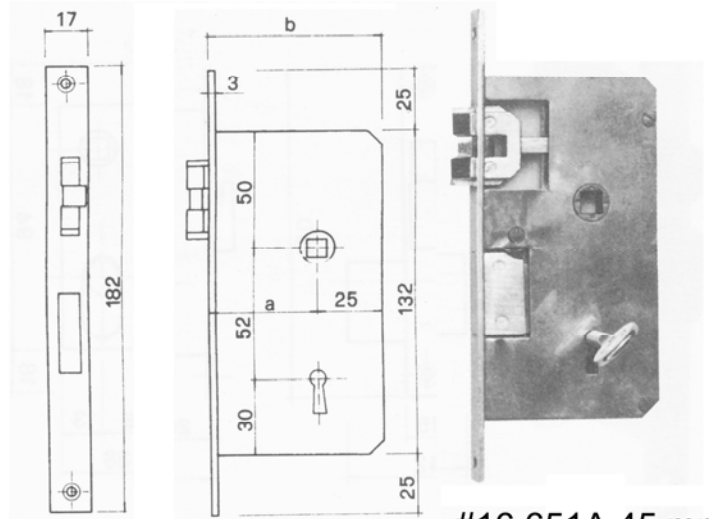


Lever #19.F05

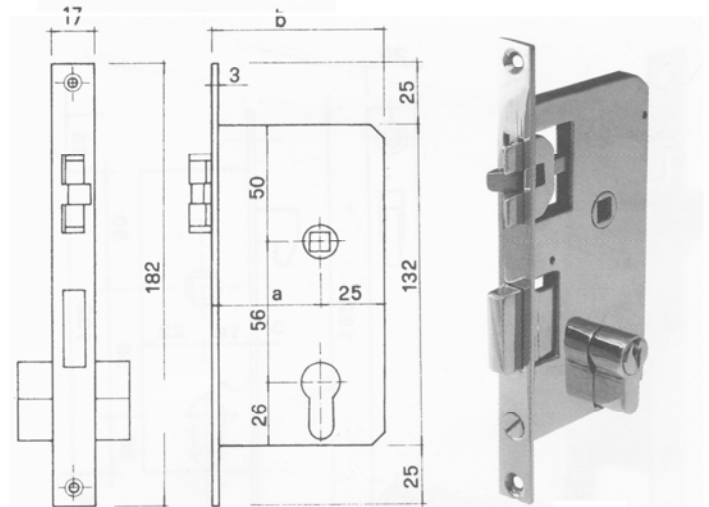
For details and other trim sets: See catalog pages: I-6-I-A and I-6-I-B

**“Olcese Ricci” Series Lock replacement****#16.651A 45 mm****#16.651B 75 mm**Antirattle mortise door lock complete of flat striking plate.
Diecast brass with SS springs.Front plate mm 17 x 182
Thickness mm

SIZE	a	b
A	45	70
B	75	100

A = Case 2 3/4" deep; 6 3/16" high; 1/2" thick; Face plate 11/16 x 7 3/16"
B = Case 4" deep; 5 3/16" high; 1/2" thick; Face plate 11/16 x 7 3/16"
for use with 8 mm spindle on lever and skeleton key for locking.Entry lock 45 mm / 1 3/4" backset for use with skeleton key
Entry lock 75 mm / 3" backset for use with skeleton key.**#16.651A 45 mm**
#16.651B 75 mm**#16.653A 45 mm****#16.653B 75 mm**Antirattle mortise door lock with cylinder and flat striking plate.
Diecast brass with SS springs.Front plate 17 x 182 mm
Thickness
Cylinder length

SIZE	a	b
A	45	70
B	75	100

Entry lock 45 mm / 1 3/4" backset for use with Profile cylinder
Entry lock 75 mm / 3" backset for use with Profile cylinder**#16.653A 45 mm**
#16.653B 75 mmA = Case: 2 3/4" deep; 5 3/16" high; 1/2" thick; Face plate 11/16 x 7 3/16"; 8 mm spindle
B = Case 4" deep; 5 3/16" high; 1/2" thick; Face plate 11/16" x 7 3/16"; 8 mm spindle

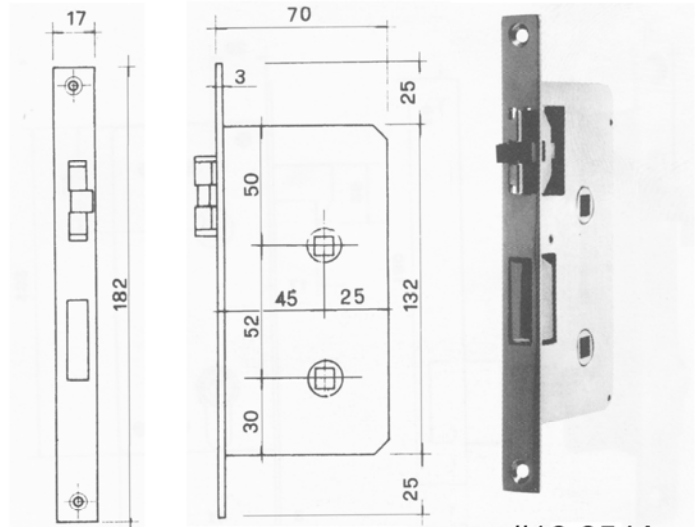
Strike plates are included when purchasing a lock. Please indicate left or right handing

**“OC” Series Lock replacements.****#16.654A 45 mm**

Antirattle mortise lock with flat striking plate.
 Locked by turn bottom.
 Diecast brass with SS springs.

Front plate 17 x 182 mm

Thickness



Privacy lock 45 mm / 1 3/4" backset

Case: 2 3/4" deep; 5 3/16" high; 1/2" thick; Face plate: 6/16" x 7 3/16"; 8 mm spindles

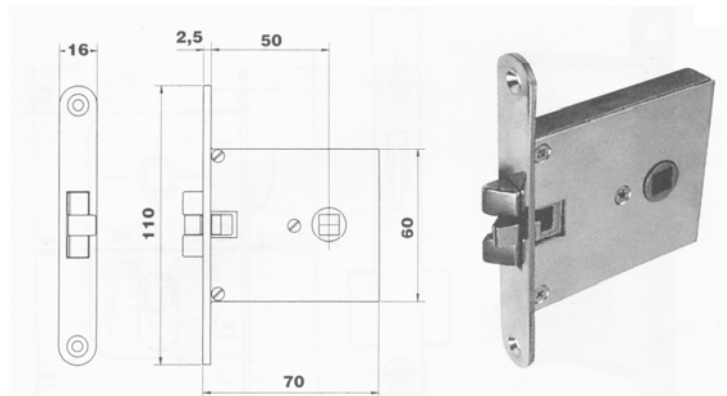
#16.654A

#16.655 50 mm

Mortise reversible lock.
 Diecast brass with SS springs.

Front plate 16 x 110 mm

Thickness



Passage latch 50 mm / 2" backset

Case: 2 3/4" deep; 2 3/8" high; 1/2" thick; Face plate: 5/8" x 4 3/8"; 8 mm spindle

#16.655

Strike plates are included when purchasing a lock

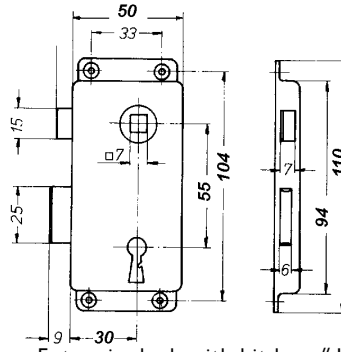


Izerwaren
Order
Numbers

- Brass rim lock, backset 30 mm - 1 3/16"
- Minimum door thickness 10 mm - 3/8"
- Solid brass latch bolt
- Specify left or right hand
- Strike plate or strike box NOT included
- Trim not included
- Specify strike box or strike plate
- Specify finish:
BPC polished chrome plated brass
BSC satin chrome plated brass
BP polished brass

17.928 **Entry Rim Lock with bit key**
Center spindle hole to center key hole: 55 mm
Case: 50 mm x 104 mm x 12 mm thick
For 7 x 7 mm spindle

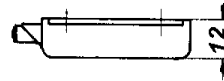
17.923 **Strike Box**
18.90B **Strike Plate**



Entry rim lock with bit key #17.928

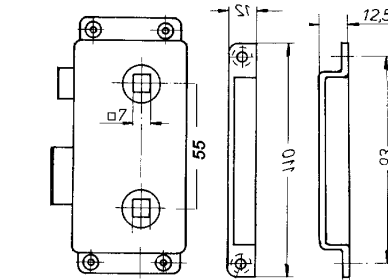


Entry Trim #12.68K



17.92W **Privacy Rim Lock with bit key**
Center spindle hole to center key hole: 55 mm
Case: 50 mm x 104 mm x 12 mm thick
For 7 x 7 mm spindle

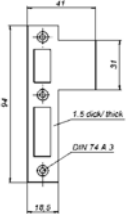
17.923 **Strike Box**
18.90B **Strike Plate**



Privacy rim lock #17.92W Strike box #17.923



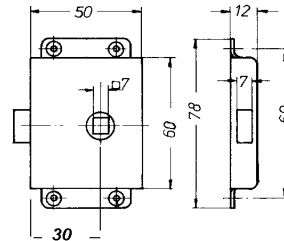
Privacy #12.68W trim



#19.90B

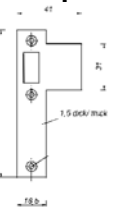
17.709 **Passage Rim Latch**
30 mm backset
Case: 50 mm x 70 mm x 12 mm thick
7 x 7 mm spindle

17.309 **Passage Rim Latch**
25 mm backset
Case: 50 mm x 70 mm x 12 mm thick
7 x 7 mm spindle

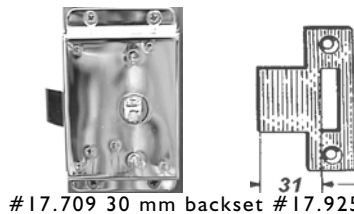


#17.709 - 30 mm backset #17.925 strike
#17.309 -25 mm backset

17.925 **Strike box**
18.91F **Strike plate**



#19.90F



#17.709 30 mm backset #17.925



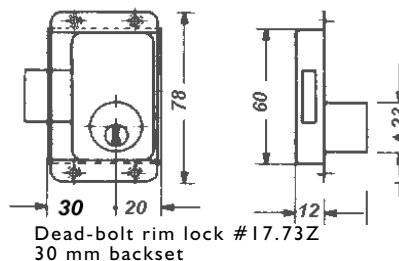
Passage trim set #12.68F
See page #1-12: 1-8;

17.73Z **Dead Bolt Rim Lock with round cylinder**
30 mm backset
Case: 50 mm x 78 mm x 12 mm thick

17.925 **Flush Strike plate**

05.522 **Round Key cylinders in length:**
23, 25, 30 mm available

Brass trim fittings see page 1-8



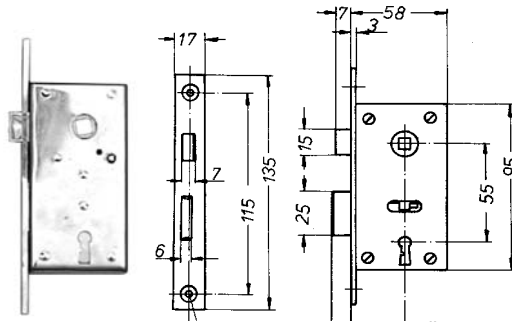
Dead-bolt rim lock #17.73Z
30 mm backset



#17.73Z



GSV Trim set #12.968 Lever & Escutcheon
GSV SET Complete Entry with skeleton key: #18.968K



Entry Lock #18.968

Izerwaren
Order
numbers

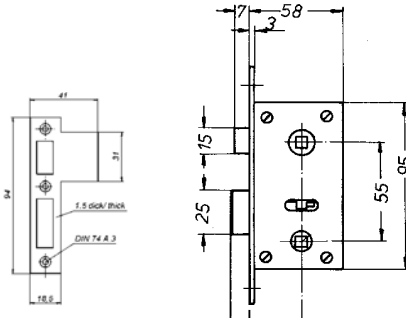
- Mortise lock, backset 30 mm - 1 3/16"
- Minimum door thickness 19 mm - 3/4"
- Solid latch bolt
- With square corners on lock & strike plate
- Strike plate included with lock
- Trim not included
- Specify left or right hand and door thickness
- Specify finish:
 - BPC polished chrome plated brass
 - BSC satin chrome plated brass
 - BP polished brass

18.968 **Entry Mortise Lock with bit key (968)**
Center spindle hole to center key hole: 55 mm
Case: 58 mm x 96 mm x 12 mm thick
Front plate 135 x 17 mm
7x7 mm spindle

18.90B **Strike plate**



GSV Lever set #12.68W
GSV SET Complete Privacy thumb-turn/indicator: #18.968W



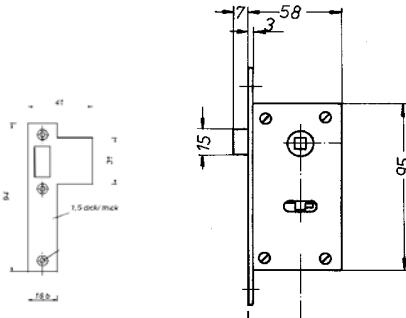
Privacy Lock #18.68W

18.68W **Privacy Mortise Lock (968WC)**
Center spindle hole to center key hole: 55 mm
Case: 58 mm x 96 mm x 12 mm thick
Front plate 135 x 17 mm
7x7 mm spindle; 5x5 mm for thumb-turn

18.90B **Strike plate**



GSV Lever set #12.68F
GSV SET Complete passage function: #18.968F



Passage lock #18.68F

18.68F **Passage Mortise Lock (968F)**
Case: 80 mm x 92 mm x 16 mm thick
Front plate 150 x 25 mm
7x7 mm spindle for lever handles

18.91B **Strike plate**



GSV trim fittings series #5968; 7x7 mm spindle

Lever handles with Esc. Plates
attached Lever handle: 80 x 35 mm

- 12.968 **Entry** with skeleton key
- 12.68Z **Entry** with round cylinder
- 12.68W **Privacy**
- 12.68F **Passage**



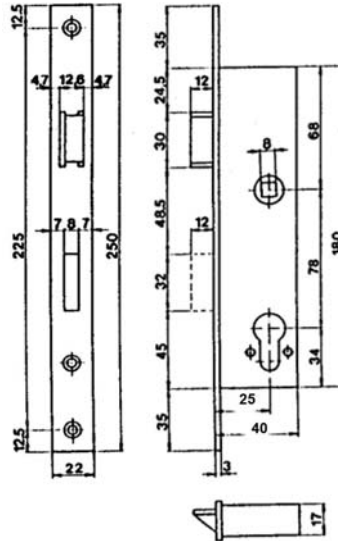
Izerwaren
Order
numbers

- Mortise lock backset 25 mm ~ 1"
- Heavy duty - doors up to 150 lbs.
- Minimum door thickness 1 1/4"
- Lock parts 304 stainless steel
- Strike plate included
- Both handed (latch-bolt reversible)
finish: Satin stainless steel or
Polished stainless steel

FOR NARROW STYLE DOORS

19.82Z.25

Full Set Entry Lock
25 mm backset ~ 1 inch
 Front plate 250 x 22 mm
 For 8x8 mm spindle
 304 stainless steel
COMPLETE SET:



Case 180 x 40 x 17 mm
Backset 25 mm

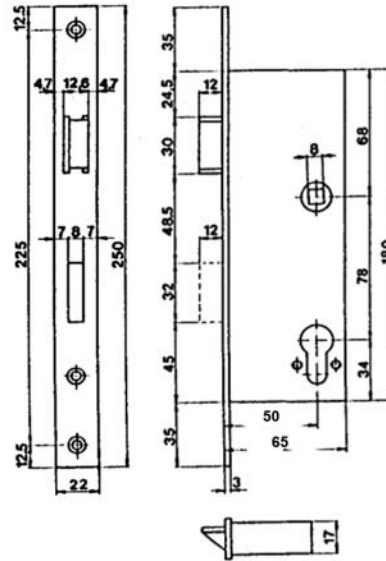
Narrow backset mortise entry lock
Backset: 1 inch
 lock case: 1 9/16" x 7 1/8" x 3/4"
 thick
 lock plate: 7/8" x 9 7/8"
Minimum Style width: 2 1/4"



#19.82Z Separate. Strike Plate #14.275

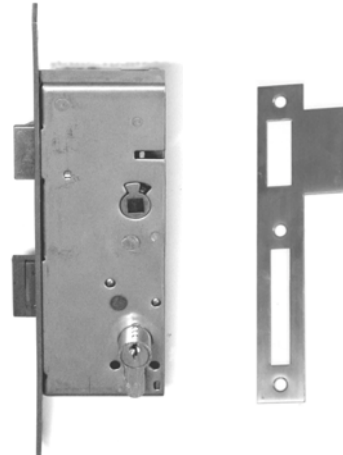
19.83Z50

Full Set Entry Lock
50 mm backset ~ 2 inch
 Front plate 250 x 22 mm
 For 8x8 mm spindle
 304 stainless steel
 Style width:
COMPLETE SET:



Case 180 x 65 x 17 mm
Backset 50 mm

Narrow backset mortise entry lock
Backset: 2 inch
 lock case: 2 9/16" x 7 1/8" x 3/4" thick
 lock plate: 7/8" x 9 7/8"
Minimum Style width: 3 3/8"



#19.83Z separate. Strike Plate #14.275

Functions for this set are
Privacy or Entry through
Profile Cylinder set up

Trim Separate:



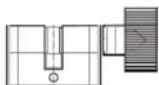
Escutcheon #12.417
220 x 36 mm
(8 5/8 inch x 1 3/8 inch)
Lever #12.021

Escutcheon#12.222
220 x 45 mm
(8 5/8 inch x 1 3/4 inch)
Lever 12.527

**Detail Trim Sets:
See page 1-9-A**

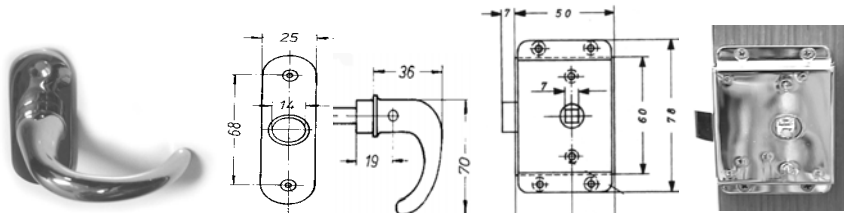
19.83Z

Entry Mortise Lock separate
50 mm backset

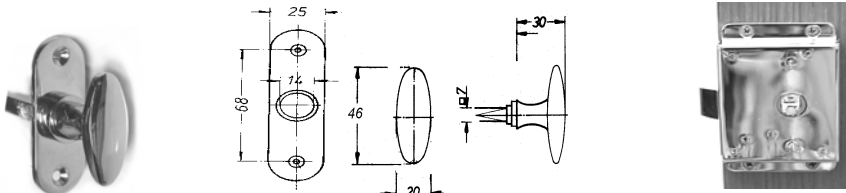


05.405

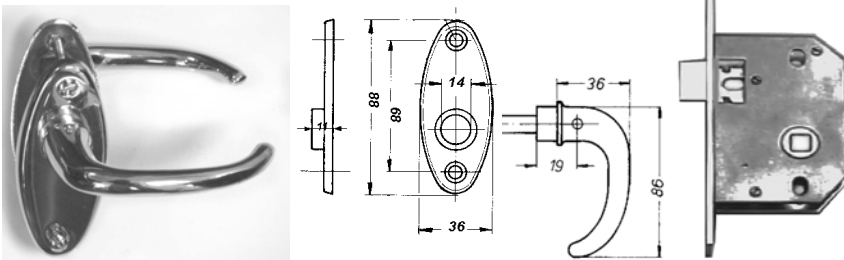
Profile cylinder #1400 series
 Specify door thickness and function.
 See page 0-5 for details



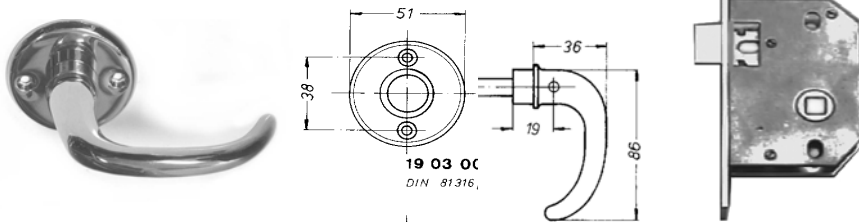
lever handle classic, small Lever #18.751 + rose #18.087; mechanism 21.709 latch mechanism see page 2-1



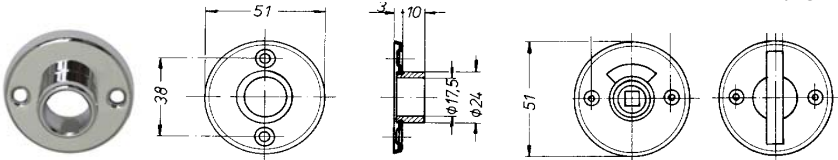
Knob classic oval #16.087, rose oval #18.087; mechanism 21.709 Latch mechanism see page 2-1



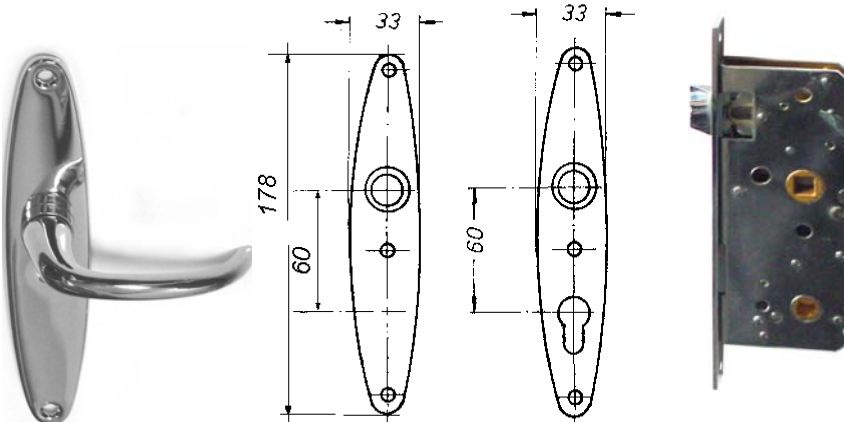
lever handle classic, medium #18.740, with oval escutcheon #18.893 #16.431 Latch Latch mortise see page 1-6



Lever handle classic, medium #18.740, rose #16.924 #16.431 Latch Latch mortise see page 1-6



Rose #16.9245 for full size levers Privacy set: Indicator #16.011 Thumb-turn #16.012



Escutcheon plate classic narrow Passage #15.850F Lever #18.740 Entry #15.853 Lock #16.32W Privacy mortise lock see page 1-6

Order numbers

- Classic brass trim fittings for brass locks
- BPC polished chrome plated brass
- BSC satin chrome plated brass
- BP polished brass

18.751 **Lever handles, Classic, small** 70 x 36 mm, 7x7 mm spindle

18.087 **Escutcheon plates w. round corners** 58 x 25 mm; For small lock series on page: 1-7,8.



16.087 **Knob oval, #16.087;** 7 x 7 mm spindle
16.924 **Round rose** 51 mm; #16.924 hole: 14 mm diameter

18.740 **Lever handles, Classic, medium** 86 x 36 mm; 8 x 8 mm spindle

18.893 **Escutcheon rose, Classic, oval** 88 x 36 mm For medium and small door handles and lock series on page: 1-5, 6, 7, 8.

16.9245 **Rose, Classic round, 51 mm diameter**



17.5 mm diameter hole for full size levers

16.011 **Thumb-turn / indicator w. roses, set**
16.012 (see below)

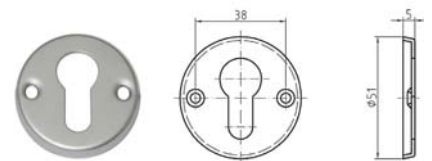


#16.011



#16.012

16.020 **Escutcheon rose for profile cylinder** 51 mm diameter (see below)



#16.020; PC rose; 51 mm diameter

15.850F **Escutcheon Classic Narrow, Oval** 178 x 33 mm; Passage model, pair

15.850W **Escutcheon Classic Narrow, Oval** 178 x 33 mm; Privacy model, pair

15.853 **Escutcheon Classic Narrow, Oval** 178 x 33 mm; PC Entry model, pair

15.851 **Escutcheon Classic Narrow, Oval** 178 x 33 mm; Skeleton Key model, pair

18.740 **Lever handles, Classic, medium;** 86 x 36 mm 8 x 8 mm spindle



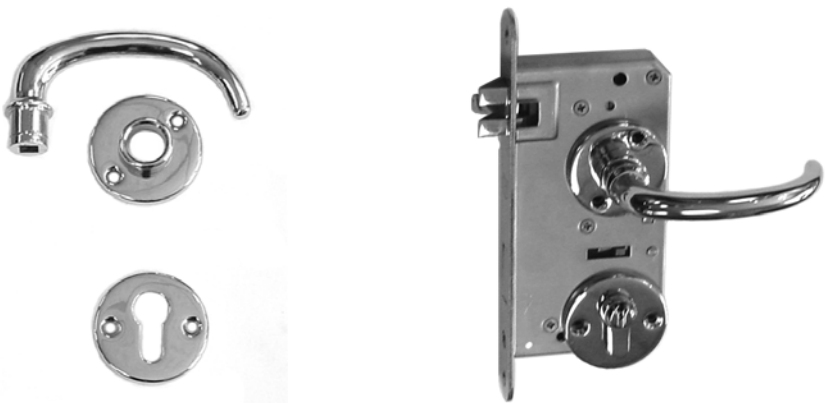
SET: Passage Classic Latch function 18.931F
Lever handle classic, big #18.956 + oval escutcheon #18.931; Full size latch#14.220
Lever handle 107 x 42 mm; Escutcheon rose, oval: 82 x 38 mm Latch: see page 1-4-L



SET Passage Classic: 10.368F;
Lever handle classic, big #18.956 + oval escutcheon #10.369;
Lever handle 107 x 42 mm; Escutcheon plate, oval: 210 x 50 mm
Passage latch #14.73F3
Latch: See page 1-4-G



10.368; skeleton key #10.369; passage #10.367; PC #10.370; privacy
Escutcheon plate, oval: 210 x 50 mm



SET Entry Classic; #10.9345Z; with round roses and profile cylinder keyway
Details roses see page 1-10; details lock: Paged 1-4-C; Keyway: page 0-5

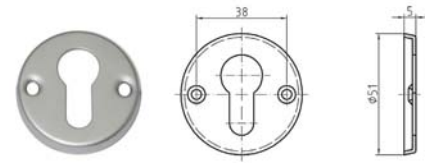
Izerwaren
Order
numbers

Finish:
All levers and escutcheons shown
are polished chrome plated brass.

- 18.956 **Lever handles, Classic, large**
107 x 42 mm
- 18.931 **Escutcheon rose, Classic, oval**
82 x 38 mm
- 10.369 **Escutcheon plate, Classic, oval**
210 x 50 mm; Passage
- 10.370 **Escutcheon plate, Classic, oval**
210 x 50 mm; Privacy
- 10.367 **Escutcheon plate, Classic, oval**
210 x 50 mm; Profile Cylinder
- 10.368 **Escutcheon plate, Classic, oval**
210 x 50 mm; Skeleton Key
- 16.9245 **Rose , Classic round, 51 mm diameter**



17.5 mm diameter hole for full size levers



16.020 **PC rose; #16.020; 51 mm diameter**



10.368W **Privacy set #10.368W Complete.**



10.9345Z **Entry set Complete #10.9345Z**
Details round roses: see Page 1-10;
Details lock: Page 1-4-C;
Details keyway: Page 0-5



IZERWAREN
Order
Numbers

- Brass trim fittings for locks with 55 mm (2 3/16") to 40 mm (1 9/16") backset
- Polished chrome plated brass
- Some finishes limited available

Decorative Design Trim Upgrades:

15.F83 **Lever handle Ferraro** "Sable-Block"
50 x 116 mm



#15.F83; 50x116 mm "Sable Block"

15.F50 **Lever handle Ferraro** "Ships Model"
65 x 125 mm



#15.F50; 65x125 mm "Ships model"

16.F10 **Lever handle Ferraro** "U" profile
51 x 128 mm



#16.F10; 51x128 mm "U" profile

19.F05 **Lever handle Ferraro** "Banana"
50 x 123 mm



#19.F05; 50x123 mm "Banana"

15.F16 **Lever handle Ferraro** "Crew"



#15.F16; "Crew"

28.F438 **Lever handle Ferraro** "Two Tone"



#21438 "Two Tone" 131 mm long

14.J44 **Lever handle Jado** "444 New Orbis"



#462 "Skyline" 123 mm long

14.J462 **Lever handle Jado** "462 Skyline"
123 mm long

14.J463 **Lever handle Jado** "463 Meteor"
122 mm long



#463 "Meteor" 122 mm long

14.J368 **Lever handle Jado** "368 Pure"

15.F80 **Roses for Levers**, screws invisible,
50 mm Ø



#368 "Pure"

15.F75 **Escutcheon Rose** screws invisible,
for profile cylinder keyway 50 mm Ø



#444 21438 "New Orbis"

09.P005 **Thumb-turn PB style**

09.P00 **Indicator PB style**

13.J92 **Thumb-turn Jado style**

13.J91 **Indicator Jado style**

**For interior marine doors
we recommend the 4040 series
mortise locks.
Please see page 1-6-0 and following**



#15.F75



#15.F80

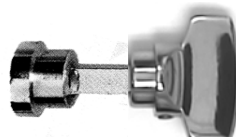


#09.P005/15.F80



#09.P00 /15.F80

Thumb-turn / indicators



#19.P00: Indicator #09.P005: Thumb-turn



#13.J92: Indicator #13.J92: Thumb turn

16.04Z Lock 16.04Z entry model; page 1-6-0
Order with 40 or 50 mm backset
More options available
Full size doors: See Pages 1-1 and 1-4

CLICK HERE TO SEE THE FULL DECORATIVE TRIM PROGRAM



Izerwaren
Order
numbers

- Trim available in the finish:
 - Polished chrome plated brass
 - Satin chrome plated brass
 - Stainless steel (only 6645 and 6610/2210)

GSV trim fittings #5968 escutcheon: 30 x 130 mm attached Lever handle: 80 x 35 mm

- 12.968 **Entry** with skeleton key
- 12.68Z **Entry** with round cylinder PZ
- 12.68W **Privacy** with thumb-turn + indicator
- 12.68F **Passage** trim set

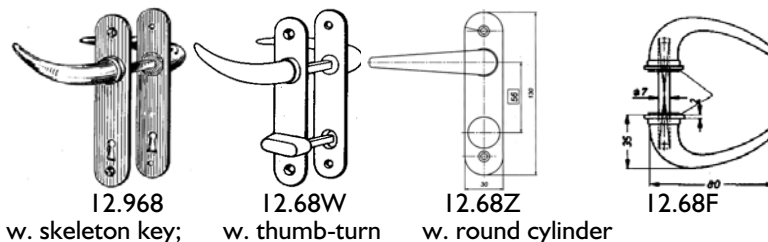
For mortise locks as below: 968 series



Key lock #18.968 Details see page I-7 and I-8.

GSV trim fittings #5969; Escutcheon: 70 x 30 mm attached Lever handles 100 x 42 mm;

- 12.59Z **Entry** trim for profile cylinder
- 12.596 **Entry** trim for bit key
- 12.59W **Privacy** trim
- 12.59F **Passage** trim



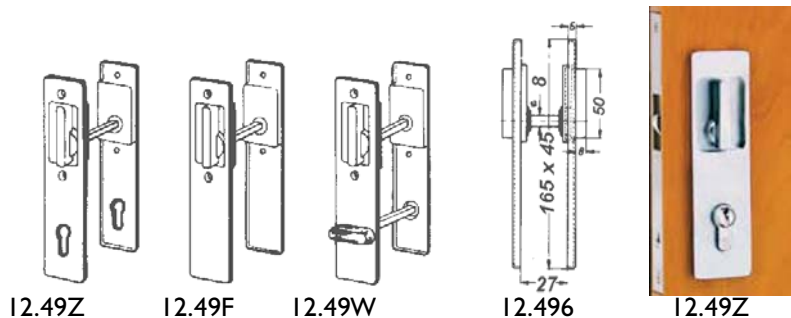
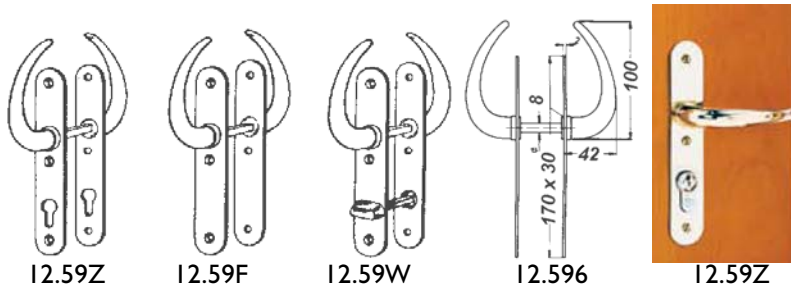
GSV flush trim fittings #4969; Escutcheon plates 65 x 45 mm attached Flush handle: 50 x 8 mm;

- 12.49Z **Entry** for profile cylinder
- 12.496 **Entry** with skeleton key
- 12.49W **Privacy**
- 12.49F **Passage**

For mortise locks, as below:



#16.04Z #14.69Z; see page I-6-0



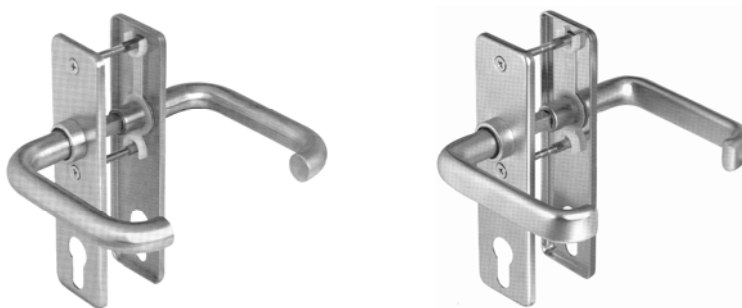
GSV trim fittings

- 14.999 **Lever handles** (2210) 120 mm long Stainless st. Sable style; details page I-4-J
- 14.610 **Lever handles** (6610) Stainless st. "U" shape style; details upon request.
- 14.129 **Escutcheon plates** 165 x 45 mm (6645Z) details page I-4-I
- 14.304 **Rose for levers** 50 mm Ø (3304)
- 14.60Z **Escn. Cylinder Rose** 50 mm Ø (3604Z) Escn.
- 14.604 **Rose for bit key** 50 mm Ø (3604)
- 14.40W **Thumb-turn/indicator with rose** (4405)

Trim set for full size locks, see below:



Full size entry lock #14.7322 page I-4, and following



Escutcheon plates #6645Z Lever handles #6610 and #2210 (right) Above sets have a stainless steel finish



#3304 #3604Z #3604 #4405 / set thumb-turn/ indi
Roses are 50 mm diameter; brass chrome plated will fit with lever 2210



Izerwaren
Order
numbers

- Mortise lock, backset 55 mm - 2 3/16"
- Pocket doors: Minimum door thickness using flush escutcheon plates on both sides: 1 3/4"
- Minimum door thickness using protruding door lever handles: 32 mm - 1 1/4"
- Solid brass hook bolt
- Round corners on lock plate
- Polished chrome plated brass



13.81Z5 **SET:** Entry Sliding Door Mortise Lock with escutcheon plates and levers



13.81Z6 **SET:** Entry Sliding Door Mortise Lock with flush escutcheon plates and levers

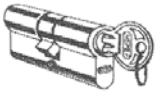


13.81Z7 **SET:** Entry Sliding Door Mortise Lock with escutcheon plates and levers

13.81Z (3381Z) Separate Sliding Door Mortise Lock
Center spindle hole to center key hole: 75 mm
Case: 80 mm x 152 mm x 16 mm thick
Front plate 210 x 25 mm
For 9x9 mm spindle /door lever handles
Use with profile cylinder key/key or knob/key

13.81S (3381) Strike plate (stainless, square corners)
13.81B Strike plate (brass, round corners)

05.400 (1400) Profile Cylinder key/key 30/30 mm



see page 0-5 for details

13.81W (3381WC) Privacy Sliding Mortise Lock
Center spindle hole to center hole: 75 mm
Case: 80 mm x 152 mm x 16 mm thick
Front plate 210 x 25 mm
9 x 9 mm spindle for lever handles
7 x 7 mm spindle for thumb-turn

13.81S (3381) Strike plate

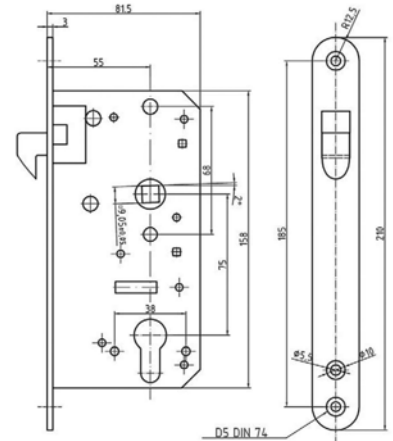
13.81F (3381F) Passage Sliding Mortise Lock
Case: 80 mm x 152 mm x 16 mm thick
Front plate 210 x 25 mm
9x9 mm spindle for lever handles

13.81S (3381) Strike plate

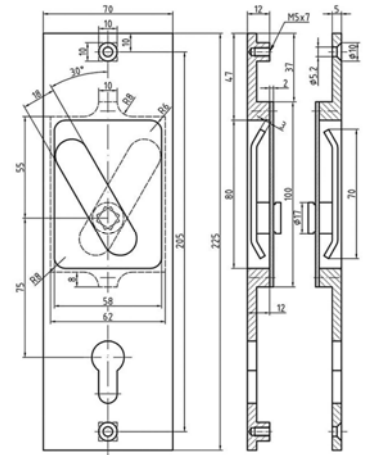
13.81K (3381K)Bit Key Sliding Mortise Lock
Center spindle hole to center key hole: 75 mm
Case: 80 mm x 152 mm x 16 mm thick
Front plate 210 x 25 mm
Works with Bit key

13.81S (3381) Strike plate

13.610Z Flush Lever& Escutcheon set



Entry Lock Set#13.81Z5; 55 mm backset; Levers #14.999 Escutcheon #14.129



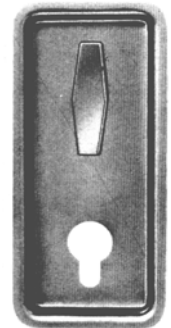
Entry Lock Set#13.81Z6; 55 mm backset; Flush lever set: #13.610Z



Entry Lock Set#13.81Z7;; 55 mm backset



#52.194



#52.186

for sizes flush plates: see page 5-2



Edge pull #13.249;

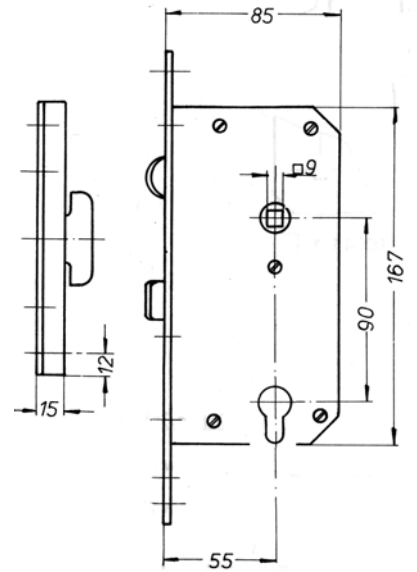
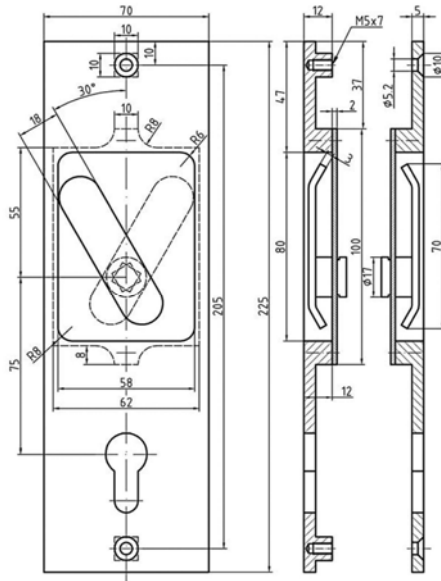


#13.219;

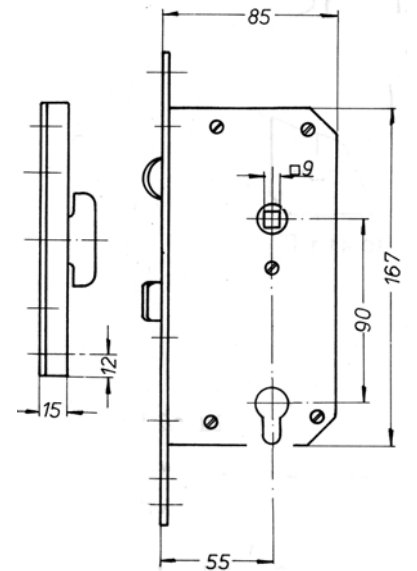
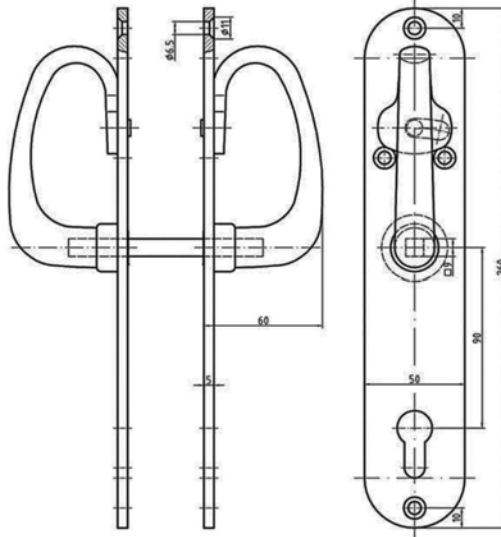
Stainless steel; for sizes see page: 1-13-3



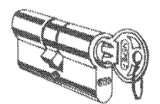
#13.239



SET: 13.008Z Heavy duty Flush sliding door lock set for 1 3/4" thick doors. Chrome plated brass.



SET: 13.9698Z Heavy duty sliding door lock set for 1 1/2" thick doors. Chrome plated brass.



13.830 strike box

13.008 sliding lock

13.610Z flush trim set

13.969Z trim set

Keyways: see page 0-5



Entry set R&S #3786

For doors from 1 1/2 inch thick and more

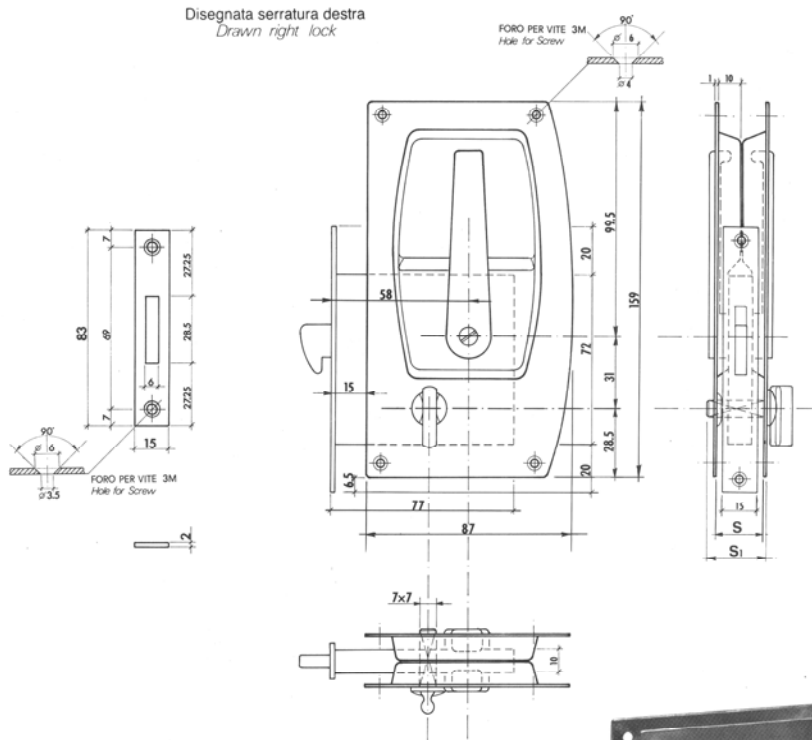


Privacy set R&S #3838



passage set R&S #3786

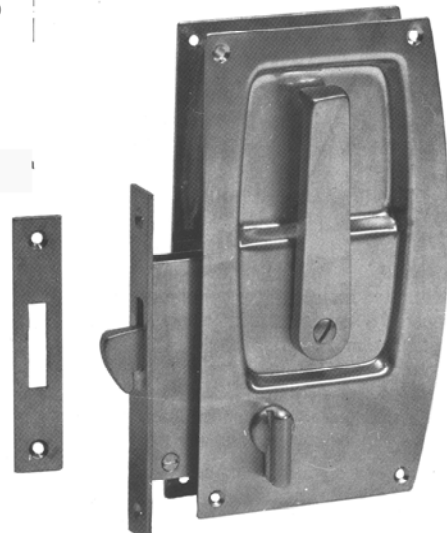
Flush plates stainless steel mechanism brass.



3838

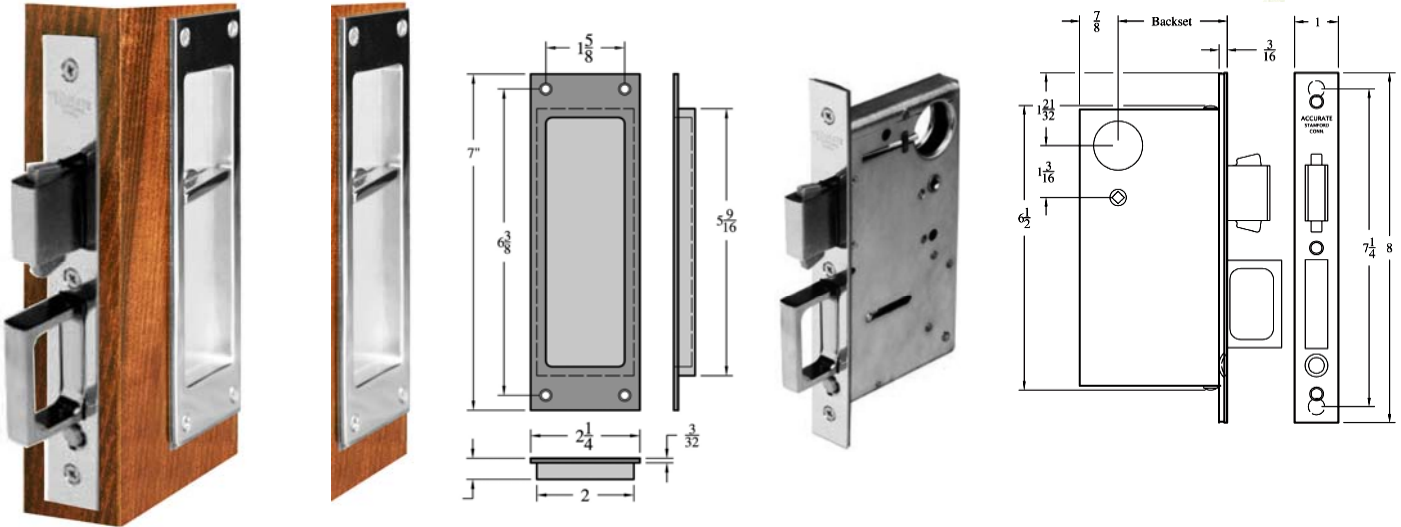
Sliding door mortise lockset with escutcheons and flush handles, striking plate, with locking knob inside and square key outside (not included) Backset 60 mm

Privacy Lock 18.3838 (no keyway)
Stainless steel with brass parts

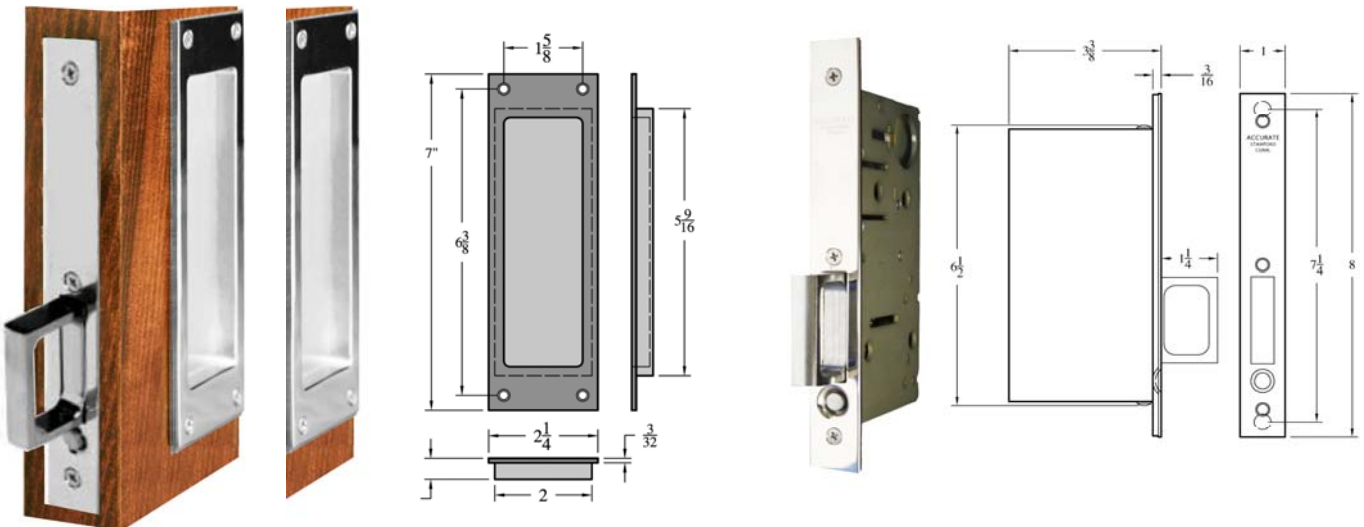




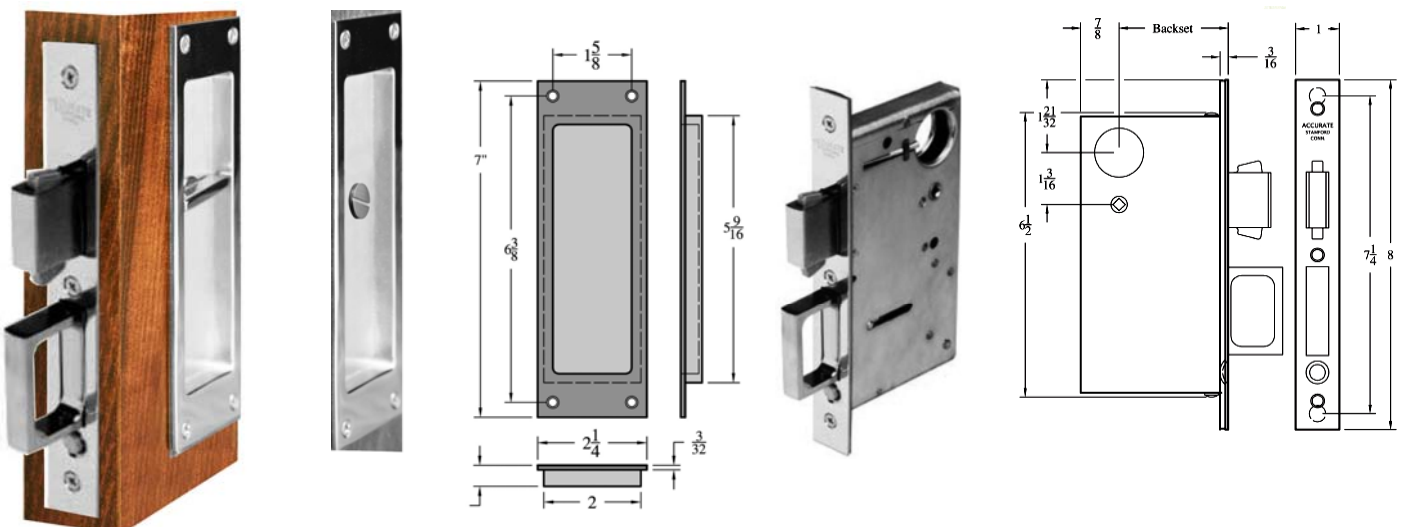
Pocket door locks for door thickness 1 3/8" and up. Backset 2 1/2". Optional More.



SET: I3.PA002 Passage Pocket Door Lock with Flush lever outside and flush lever inside and spring loaded flush pull; minimum door thickness: 1 3/8"



SET: I3.FF002 Flush pull set with flush cups on both sides, with spring loaded pocket pull, minimum door thickness: 1 3/8"



SET: I3.PR002 Privacy Pocket Door Lock with Flush lever outside and indicator inside and Spring loaded Flush Pull; minimum door thickness: 1 3/8"

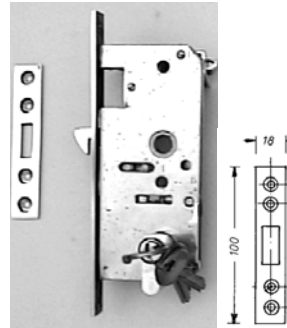
FOR MORE OPTIONS AND LOCK PARTS SEPARATE SEE PAGE I-13-E to I-13-J



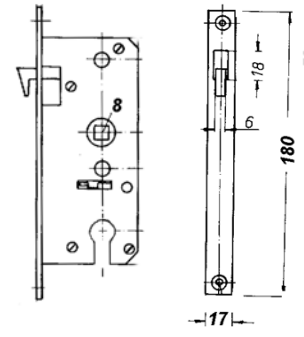
Izerwaren
Order
numbers

- Mortise Sliding Door locks, backset 40 mm - 1 9/16"
- Minimum door thickness 23 mm - 7/8"
- Solid brass hook bolt; Strike plate included with lock
- With square corners on lock & strike plate
- Specify finish:
polished chrome plated brass
satin chrome plated brass

14.481 **Entry Sliding Mortise Lock, Light Duty**
40 mm backset - for use with profile cylinder
Center spindle hole to center key hole: 60 mm
Case: 62 mm x 140 mm x 12 mm thick
Front plate 180 x 17 mm
8x8 mm spindle / door lever handles



#14.481 Profile Cylinder

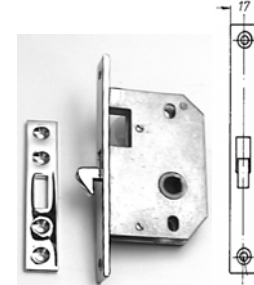


#14.481 PC lock, hook bolt

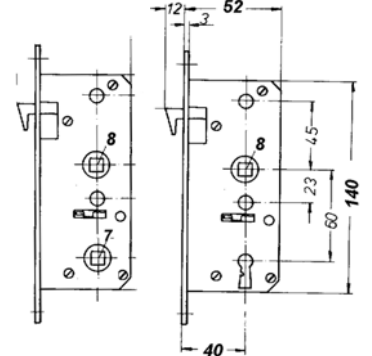
14.491 **Entry Sliding Mortise Lock, Light Duty**
40 mm backset - for use with skeleton key

14.485 **Strike plate**

14.471 **Privacy Sliding Mortise Lock. Light Duty**
Center spindle hole to center key hole: 60 mm (1047)
Case: 62 mm x 140 mm x 12 mm thick
Front plate 180 x 17 mm
8x8 mm spindle / door lever handles
7x7 mm for thumb-turn:



#14.891 passage latch



#14.471 WC

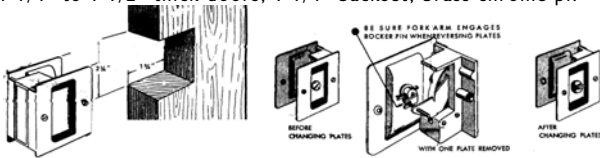
#14.491 skeleton key

14.485 **Strike plate (1048)**

14.891 **Passage Sliding Mortise Lock, brass, Light Duty**
Case: 62 mm x 140 mm x 12 mm thick (1098)
Front plate 180 x 17 mm
For 8x8 mm spindle / door lever handles

14.485 **Strike plate (1048)**

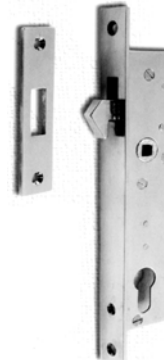
14.101 **Pocket door Flush Privacy lock (101)**
1 1/4" to 1 1/2" thick doors, 1 1/4" backset; brass chrome pl.



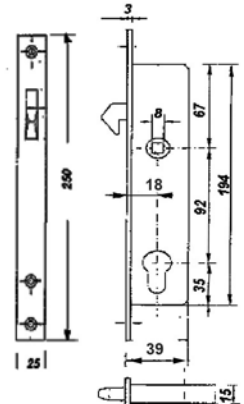
STAINLESS STEEL SLIDING DOOR LOCKS

- backset 40 mm - 1 9/16" and backset 18 mm ~ 3/4"
- Minimum door thickness 28 mm - 1 1/8"
- Stainless steel hook bolt
- Strike plate included with lock

14.152 **Entry Sliding Mortise Lock Heavy Duty (6152)**
Center spindle hole to center key hole: 92 mm
Case: 61 mm x 194 mm x 15 mm thick
Front plate 250 x 25 mm
8x8 mm spindle / door lever handles



Lock #14.C19
18 mm backset
For trim see page #1-14-A



Lock #14.C19
3/4" backset

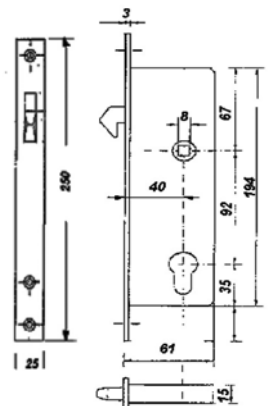
14.155 **Strike plate 117 x 25 x 4 mm (6152)**



14.C19 **Entry Sliding Mortise Lock Heavy Duty (14.C19)**
18 mm backset or 3/4 inch



Lock #14.152
40 mm backset
For trim see page #1-14-A



Lock #14.152
1 9/16" backset

Also available as Privacy and Passage Lock

Function by Profile Cylinder design.



Strike #14.155

For complete sets: See page I-14-A and I-14-B



Izerwaren
Order
numbers

- 316 Stainless steel pulls with or without thrust roses
- Specify finish:
 . SS satin stainless steel
 . PS polished stainless steel
 . LTF Life Time Finish Gold color
 . LTF Life Time Finish Brass color
 (LTF limited available)

5/8" Door pulls

14 mm diameter = 17/32"

INSTALLATION OPTIONS:

1. For front mounting with M8 bushings
For back mounting with M8 bolts without thrust roses
2. Back mounting with M8 bolts with thrust roses

Back to back mounting with M8 bolts with bush without thrust roses

Back to back mounting with M8 bolts with bush without thrust roses

Glass mounting with thrust roses

Ø x length x width (center to center)

- 15.445 14Ø x 45 x 45 mm straight pull
- 15.425 14Ø x 50 x 125 mm
- 15.430 14Ø x 50 x 300 mm
- 15.465 14Ø x 50 x 650 mm
- 15.460 14Ø x 50 x 125 mm on plate small
- 15.475 14Ø x 50 x 125 mm on plate big
- 15.600 14Ø x 93 x 105 mm pull or hook

15.030 **Thrust-roses:** 30 mm Ø x 2 mm

15.020 **Thrust-roses:** 20 mm Ø x 2 mm



Shown small and big thrust roses



Back mounting with st.st. pig nose bolt

- 15.008 M8 x 90 mm bolts with stainless steel
- 15.00G Fittings for glass to glass
- 15.00T Back to back through bolts M8 st. steel

SPECIFY DOOR THICKNESS WHEN ORDERING



Door pull #15.445



Door pull #15.425



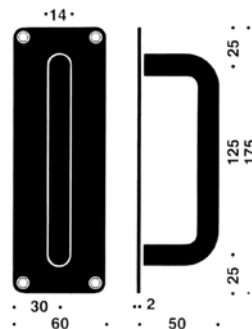
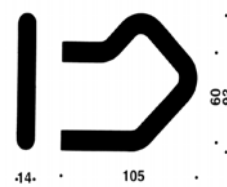
#Door Pull #15.430



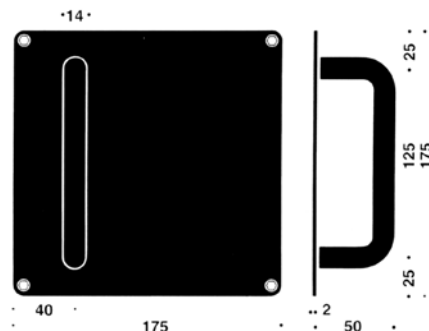
Door pull #15.465



Pull and or coat or hat hook #15.600 14 x 93 x 105 mm



Door pull on plate #15.460; Pull: 50 x 125 mm; Plate: 60 x 175 mm
Door pull on plate #15.475; Pull: 50 x 125 mm; Plate: 175 x 175 mm



Pull #15.430 14 x 50 x 300 mm

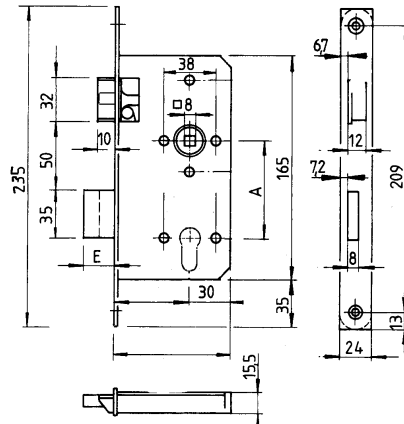


Pull #15.430 14 x 50 x 300 mm; used as towel rack

TO SEE OUR COMPLETE PROGRAM ON DOOR PULLS AND CABINET PULLS PLEASE CLICK HERE



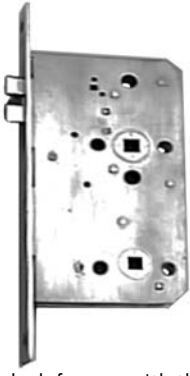
Entry set for Profile Cylinder #18.490; 60 mm backset



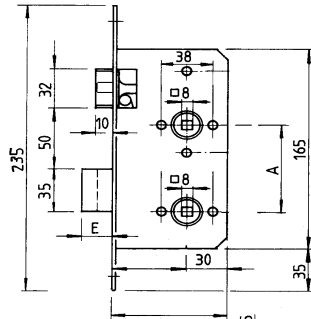
Entry mortise lock #18.490



Profile Cylinder #1400 series see page 0-5



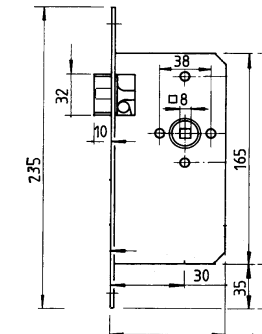
Privacy lock for use with thumb-turn / indicator #18.125



Privacy mortise lock #18.125; 60 mm backset



Passage lock for lever handle only #18.491



Passage mortise lock #18.491; 60 mm backset

Izerwaren Order numbers

- Extra heavy duty Brass Mortise lock, backset 60 mm - 2 3/8"
- Minimum door thickness: 32 mm - 1 1/4"
- With anti-friction triple latch bolt
- square corners on lock & strike plate
- Strike plate included with lock
- Specify left or right hand and door thickness
- Specify finish:
 - polished chrome plated brass
 - polished brass lacquered
 - gold plated brass

18.490 **Entry Mortise Lock (5490)**
 Center spindle hole to center key hole: 72 mm
 Case: 90 mm x 165 mm x 15.5 mm thick
 Front plate 209 x 24 mm
 For 8x8 mm spindle / door lever handles
 Use with profile cylinder key/key or key/knob

18.90B **Strike plate (5490B)**

18.125 **Privacy Mortise Lock (5125)**
 Center spindle hole to center key hole: 78 mm
 Case: 90 mm x 165 mm x 15.5 mm thick
 Front plate 209 x 24 mm
 For 8x8 mm spindle / door lever handles
 8 x 8 mm spindle for thumb-turn

18.90B **Strike plate (5490B)**

18.491 **Passage Mortise Lock (5491)**
 Case: 90 mm x 165 mm x 15.5 mm thick
 Front plate 209 x 24 mm
 For 8x8 mm spindle / door lever handles
 8 x 8 mm spindle for thumb-turn

18.91B **Strike plate (5491B)**

18.492 **Dead Bolt Mortise Lock (5492)(not depicted)**
 Case: 80 mm x 75 mm x 16 mm thick
 Front plate 125 x 25 mm
 Works with Profile Cylinder Key Way

14.241 **Strike plate (3241)**

For Sliding door Mortise Locks: (3381Z)
Please see page 1-13

Profile cylinder #1400 series
Key/key or key/knob or knob/indicator
Please See for functions cylinders: page 0-5

HIGH QUALITY MORTISE LOCKS!

- Bronze bearings on the follower
- Self cocking follower: no play on spindle
- Key action on the latch bolt ((5490)
- Double throw on dead bolt (5490)
- Triple latch bolt = no friction
- Latch bolt sound proofed nylon buffer
- heavy construction



For Wilka heavy duty double door (French doors) lock sets click here



04.P06/16.F10
235 x 40 mm



04.P06/15.F83
235 x 40 mm

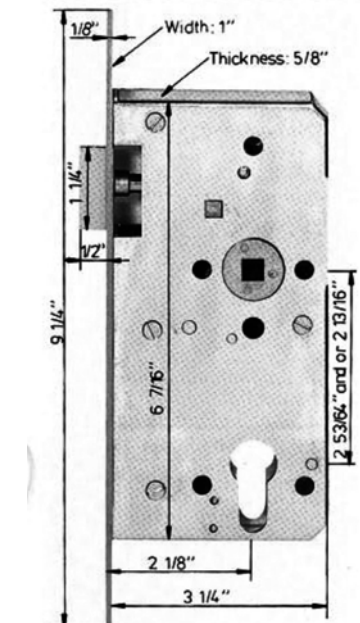


11.P84/13.J49 see Page TR-11
235 x 37 mm



1835/8005 Page TR 6-1
248 x 42 mm

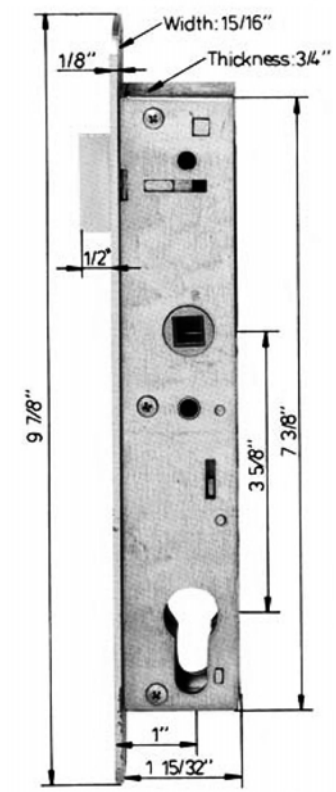
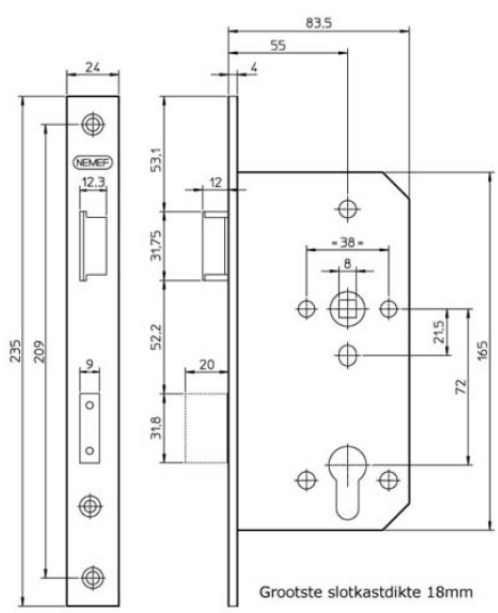
For our full Decorative Door Hardware Program click here



Original Jado lock 459/457/200



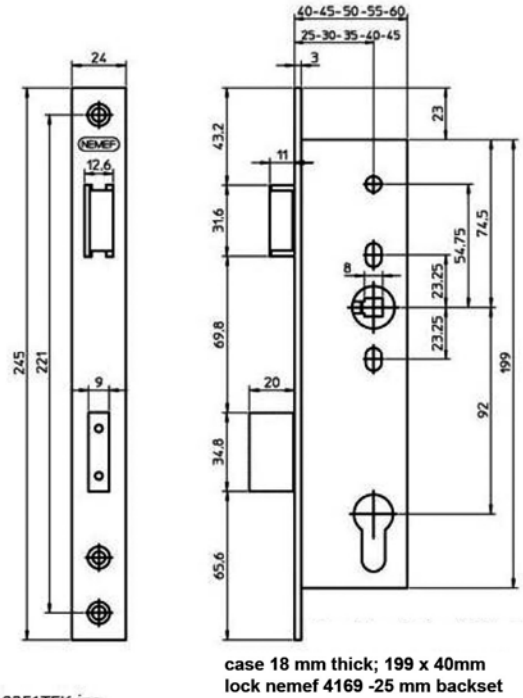
replacement Nefef Lock #440I order number #18.459 satin stainless finish only



Jado 459/451/045 lock with 1 inch backset



Nefef replacement 4169 Order number: #18.416 satin stainless steel finish



case 18 mm thick; 199 x 40mm lock nefef 4169 -25 mm backset

For our full Decorative Door Hardware Program, including the Jado Lever program, click here